

Final Degree Project

# **Boost Converter DC-DC**

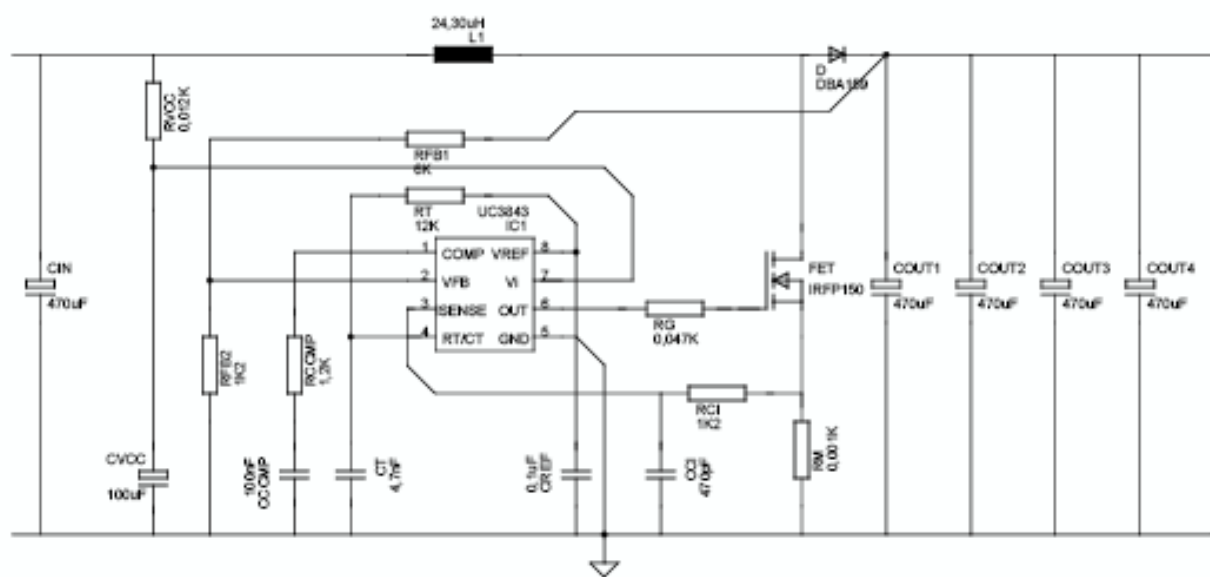
UNIVERSITY:  
HOCHSCHULE DARMSTADT  
UNIVERSITY OF APPLIED SCIENCES

Document:  
Schemes

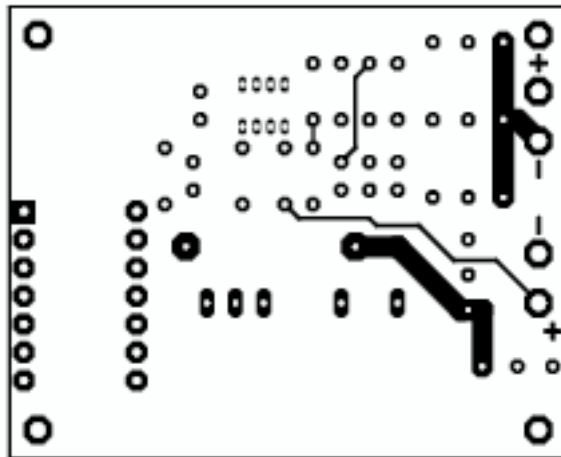


## SCHEMES

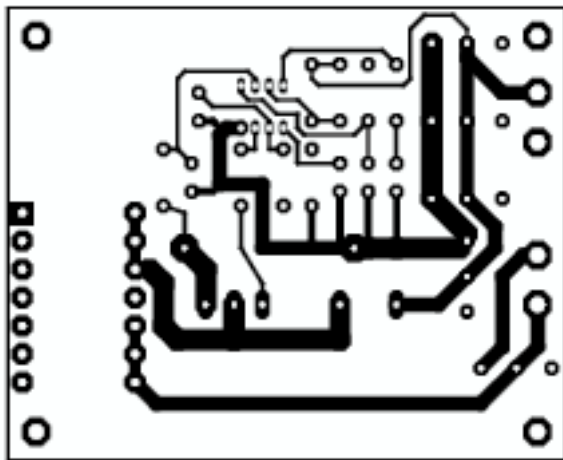
- 1 Schematics
- 2 Layout Top
- 3 Layout Bottom



	Date	Name	SIGNATURE	Hochschule Darmstadt University of Applied Sciences
Draw by	17/11/06	W.SANCHEZ		
Scale				
-	<b>SCHEMATIC</b>			Plane number: 1
				Speciality ETIEI



	Date	Name	SIGNATURE	Hochschule Darmstadt University of Applied Sciences
Draw by	17/12/06	W.SANCHEZ		
Scale 1	<b>LAYOUT_TOP</b>			Plane number: 2
				Speciality ETIEI



	Date	Name	SIGNATURE	Hochschule Darmstadt University of Applied Sciences
Draw by	17/12/06	W.SANCHEZ		
Scale 1	<b>BOTTOM_LAYOUT</b>			Plane number: 3
				Speciality ETIEI