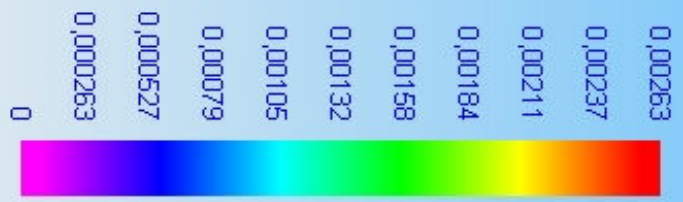
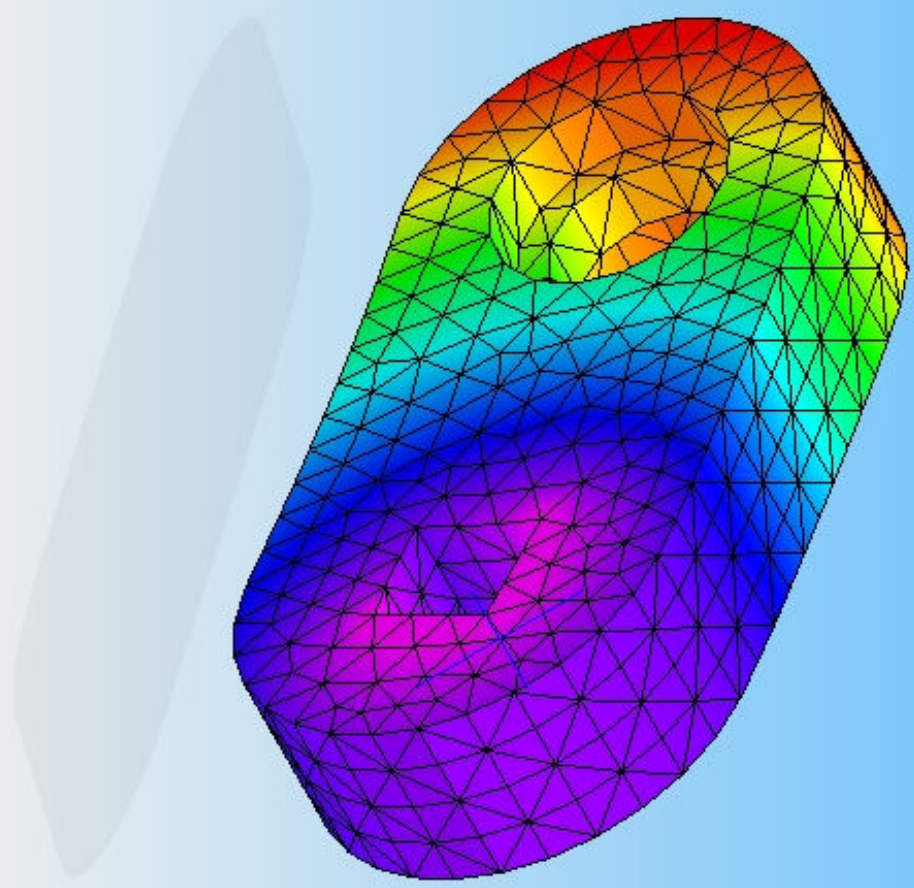


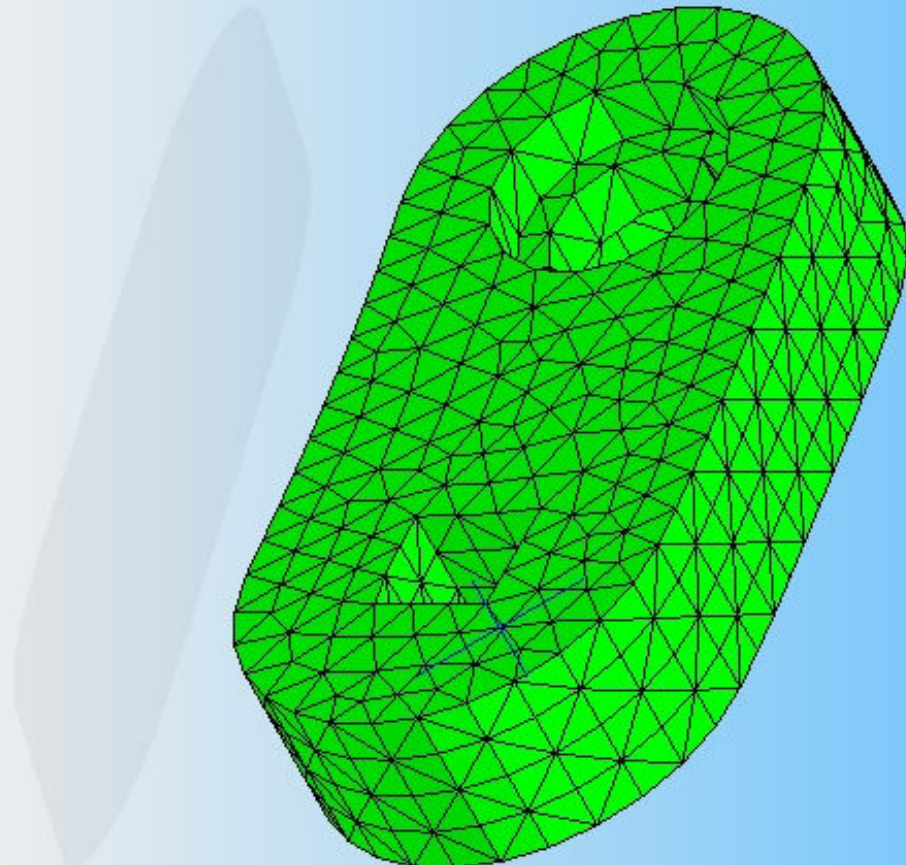


Part Name: 05-09_Cigonyal intern.par
Material Name: Stainless steel
Type of Analysis: Stress
Displayed: Deformed Model
Date: martes, 06 de mayo de 2008 11:35

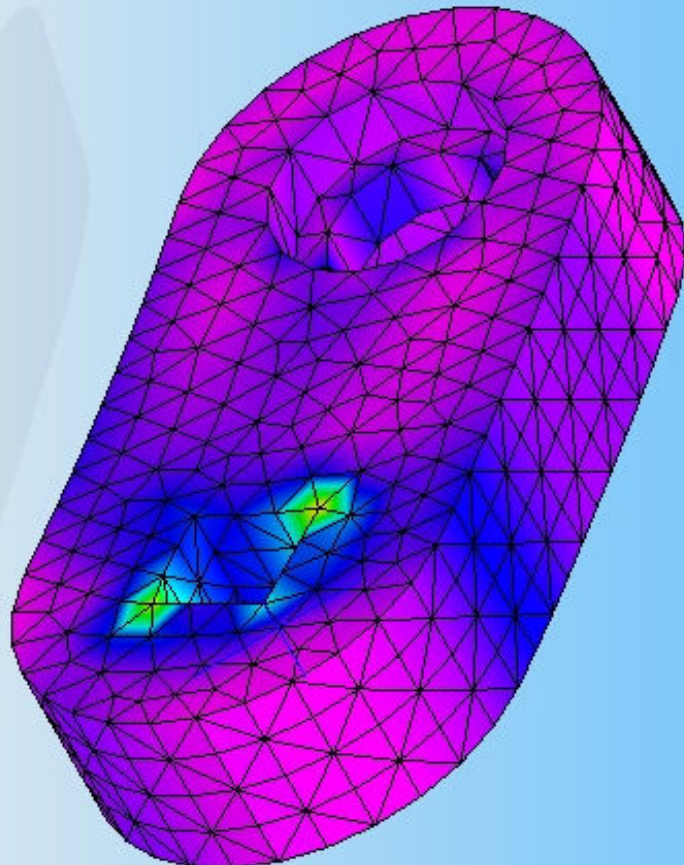


mm

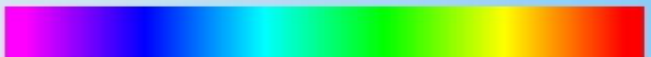
Part Name: 05-09_Cigonyal intern.par
Material Name: Stainless steel
Type of Analysis: Stress
Displayed: Factor of Safety Model
Date: martes, 06 de mayo de 2008 11:35



Part Name: 05-09_Cigonyal intern.par
Material Name: Stainless steel
Type of Analysis: Stress
Displayed: Von Mises Stresses
Date: martes, 06 de mayo de 2008 11:35



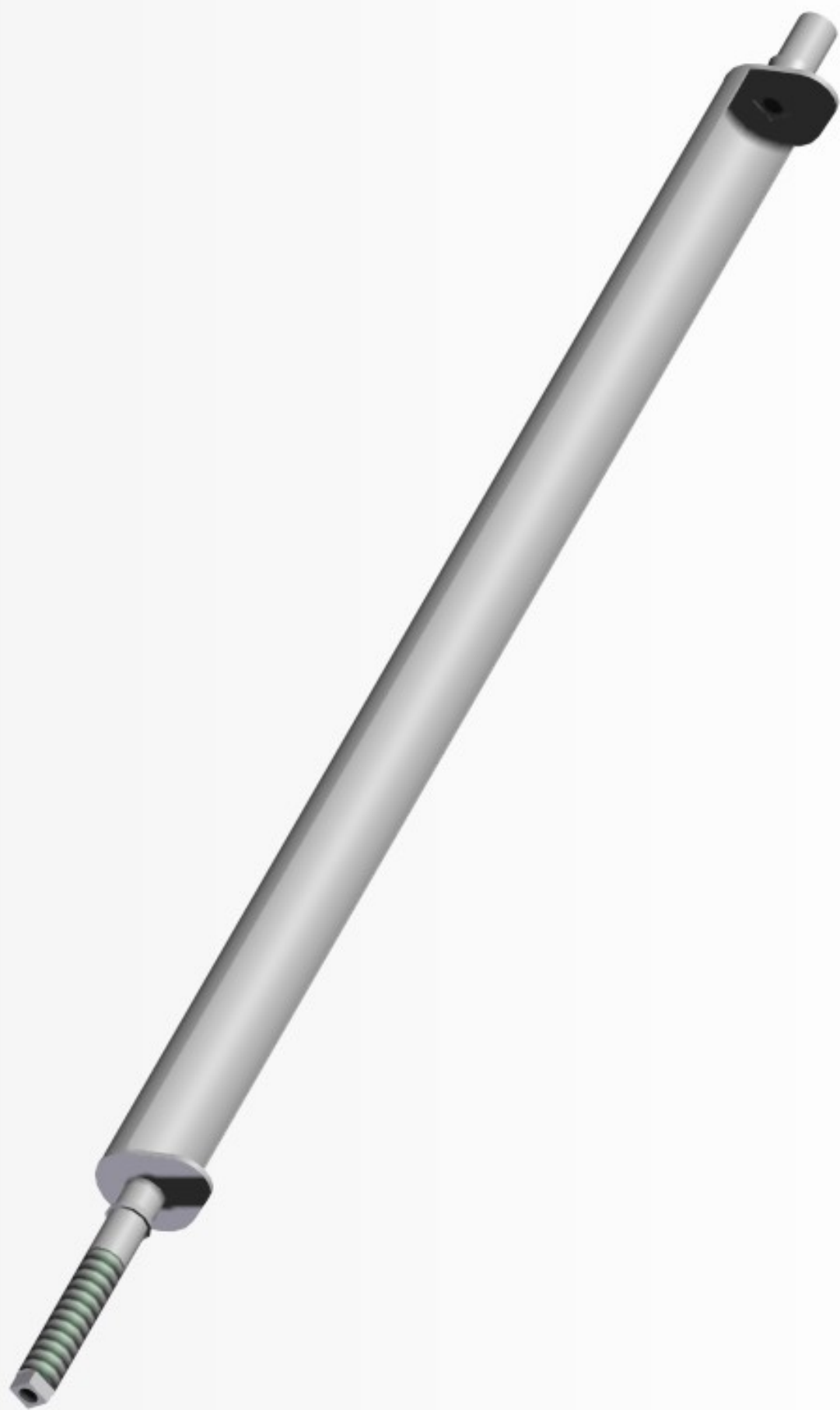
1,2e+004
1,08e+004
9,59e+003
8,4e+003
7,21e+003
6,02e+003
4,83e+003
3,64e+003
2,46e+003
1,27e+003



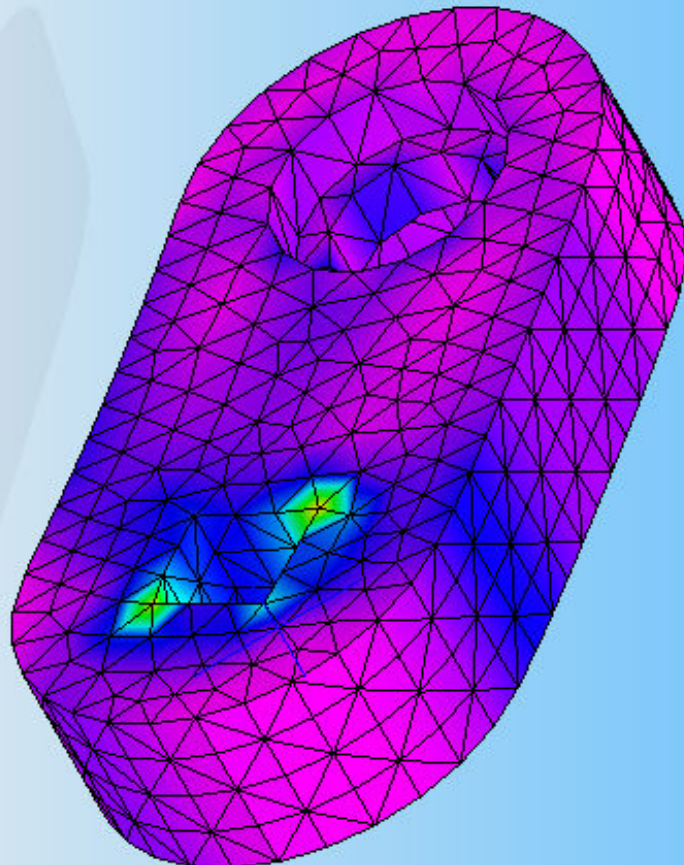
kPa

78





Part Name: 05-09_Cigonyal intern.par
Material Name: Stainless steel
Type of Analysis: Stress
Displayed: Von Mises Stresses
Date: martes, 06 de mayo de 2008 11:28



1,2e+004
1,08e+004
9,59e+003
8,4e+003
7,21e+003
6,02e+003
4,83e+003
3,64e+003
2,46e+003
1,27e+003

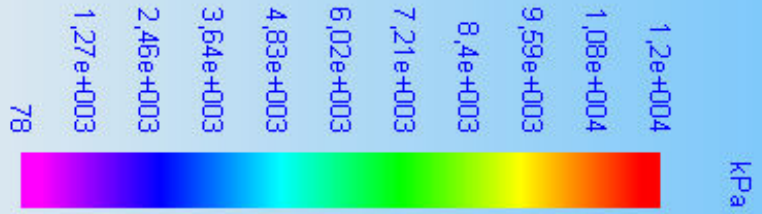
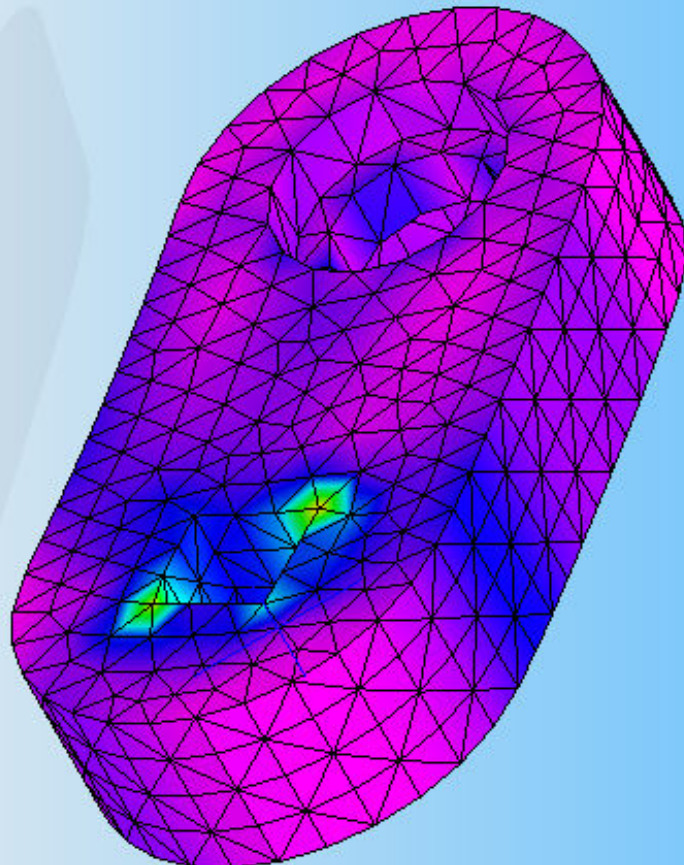


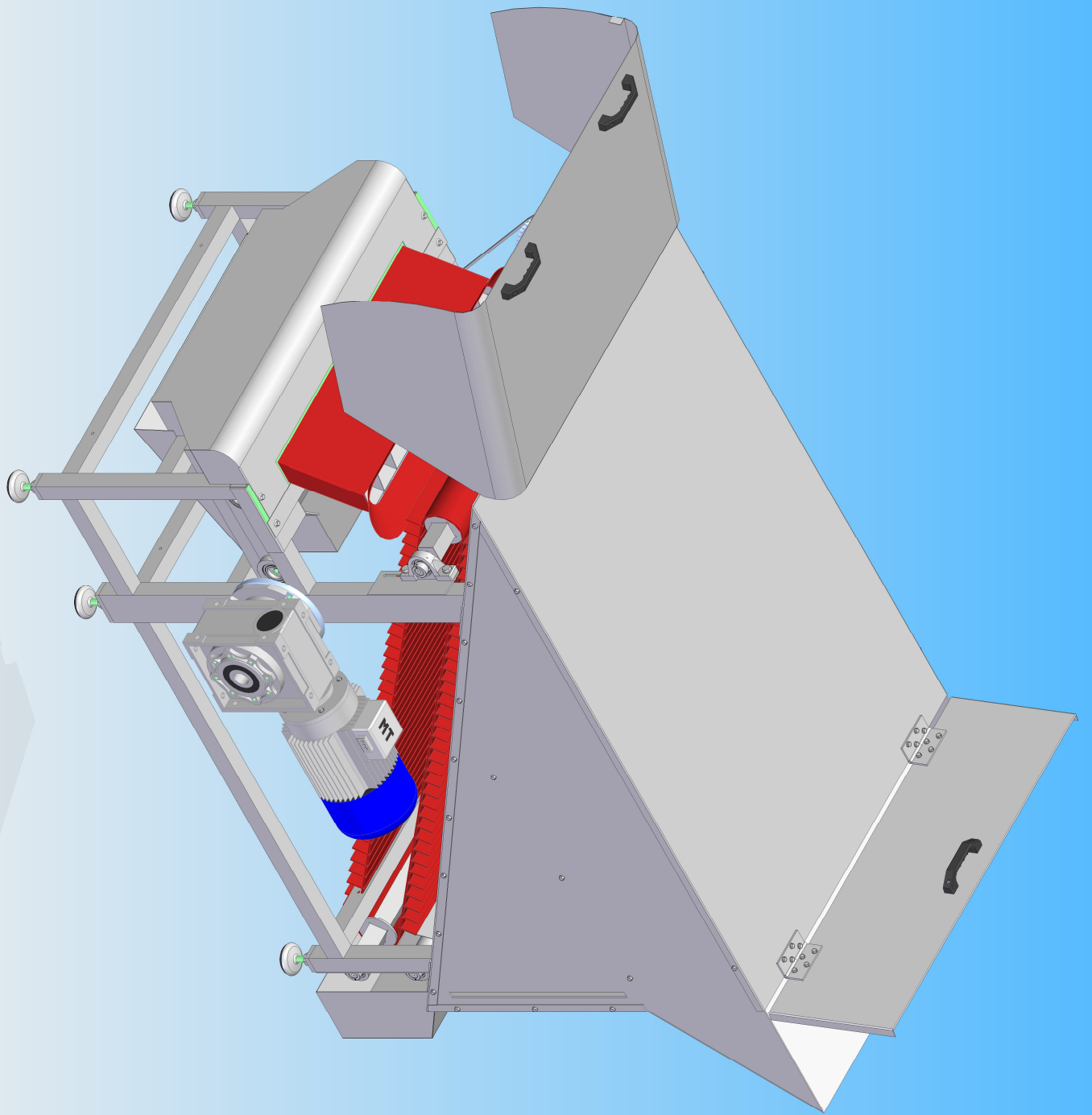
kPa

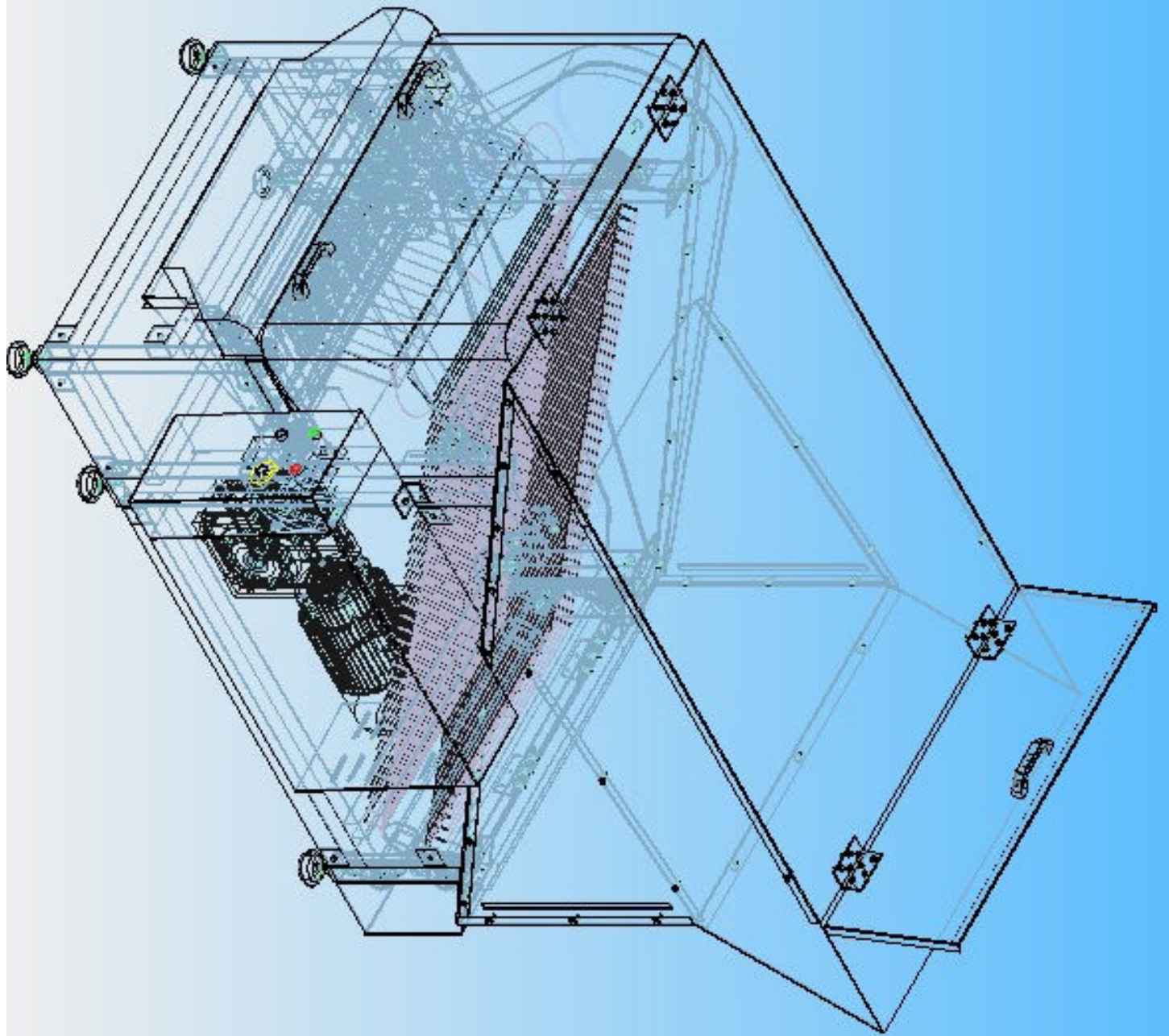
78

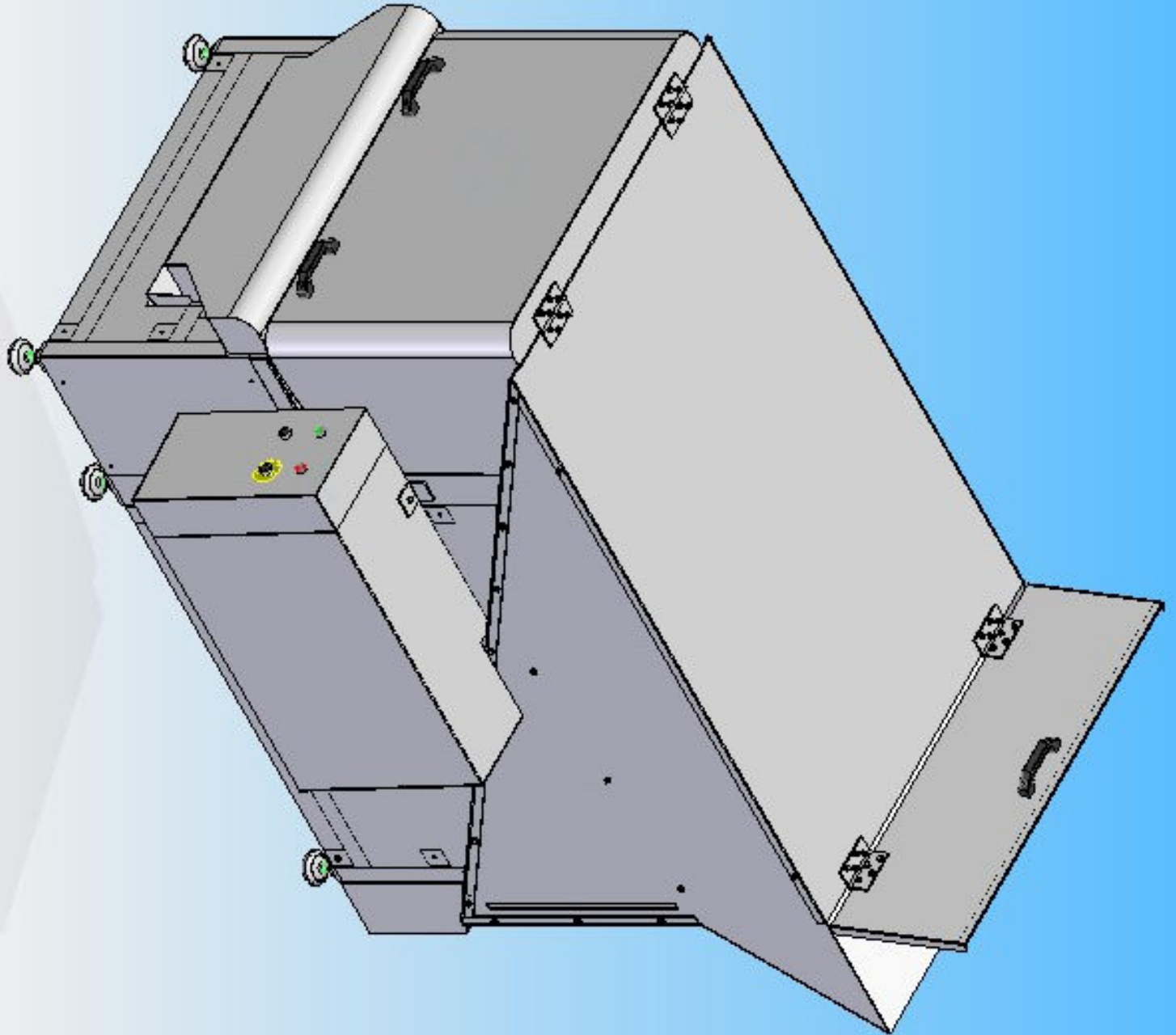
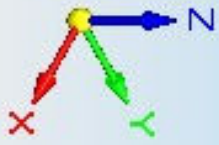


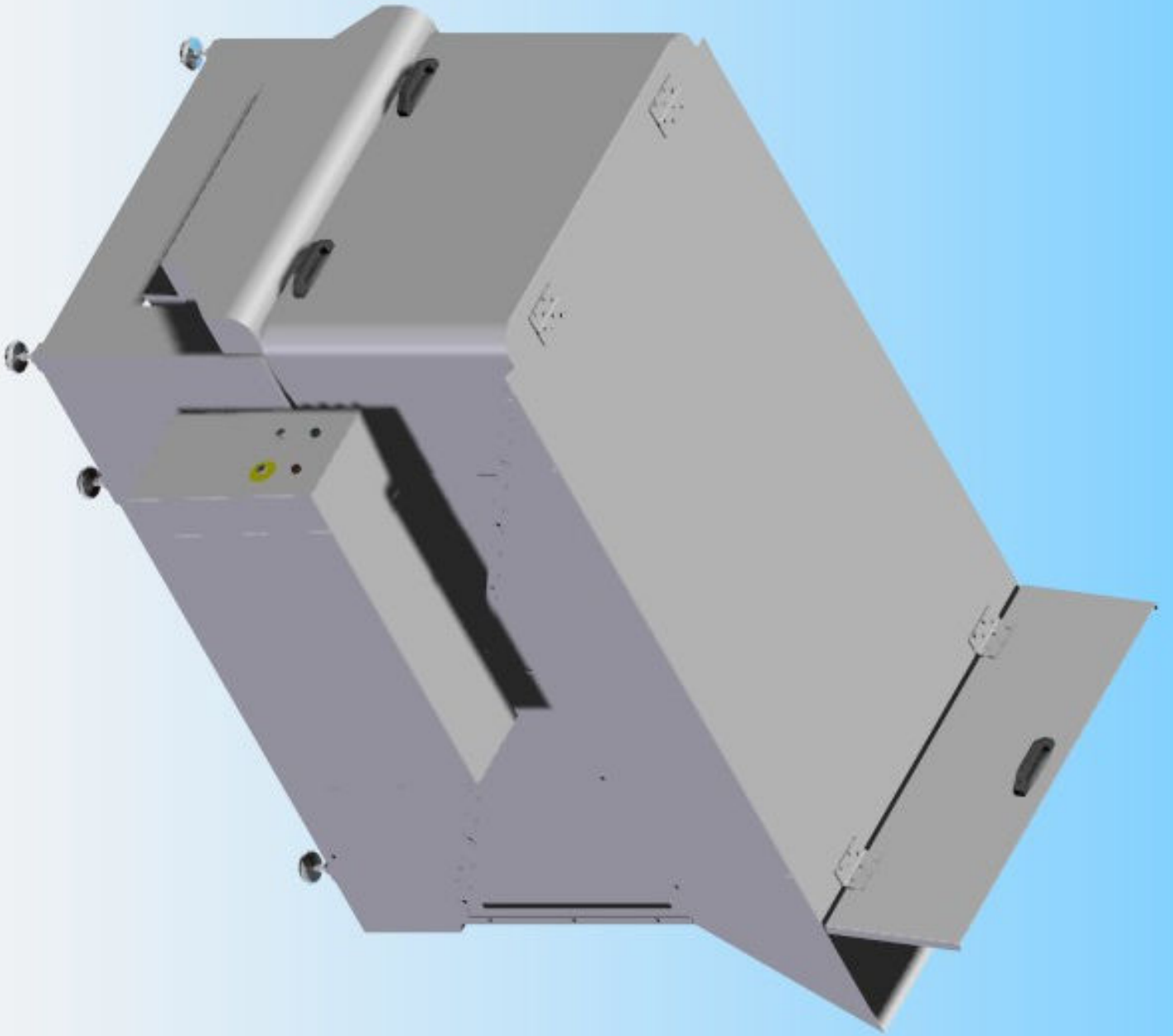
Part Name: 05-09_Cigonyal intern.par
Material Name: Stainless steel
Type of Analysis: Stress
Displayed: Von Mises Stresses
Date: martes, 06 de mayo de 2008 11:28

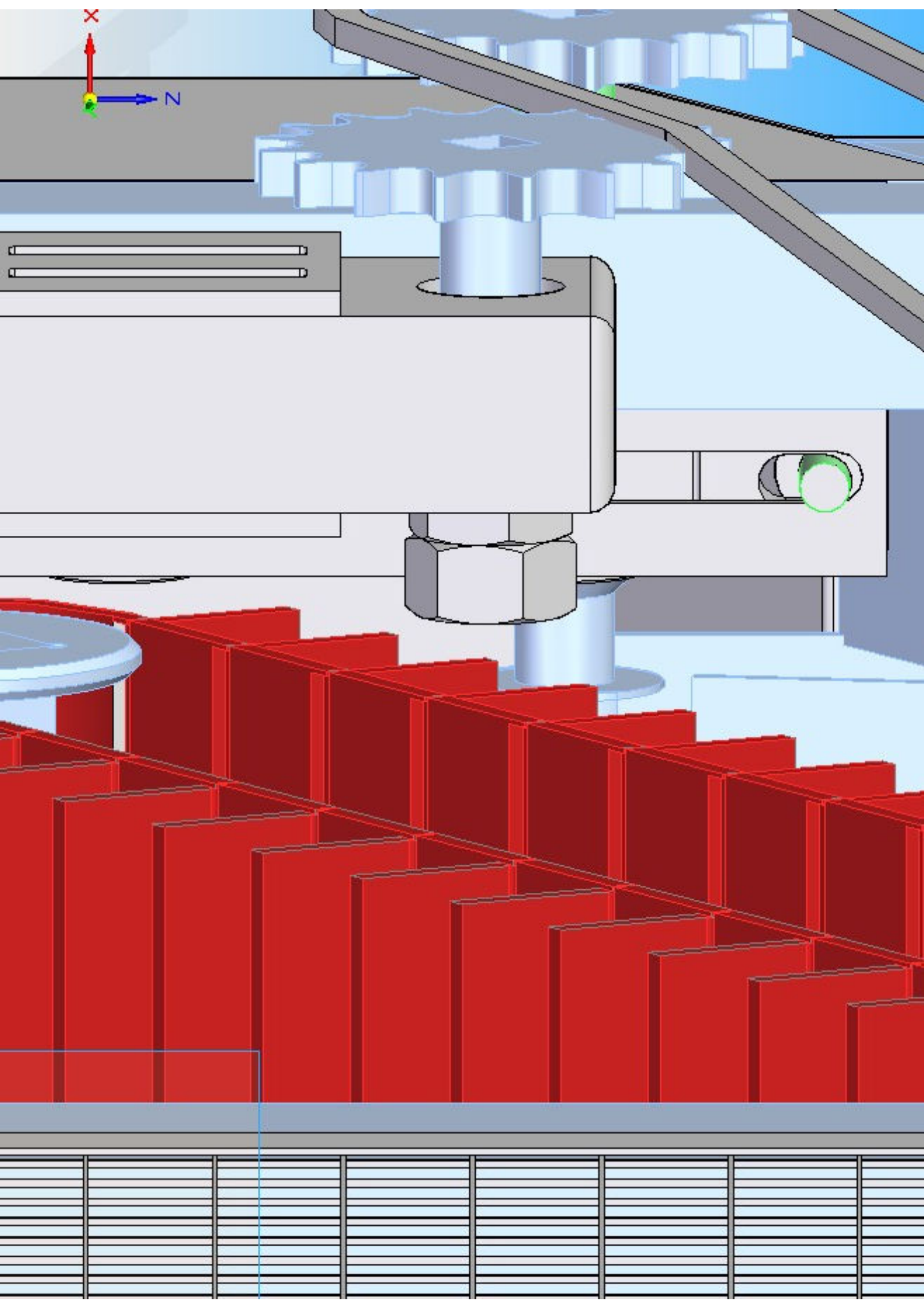


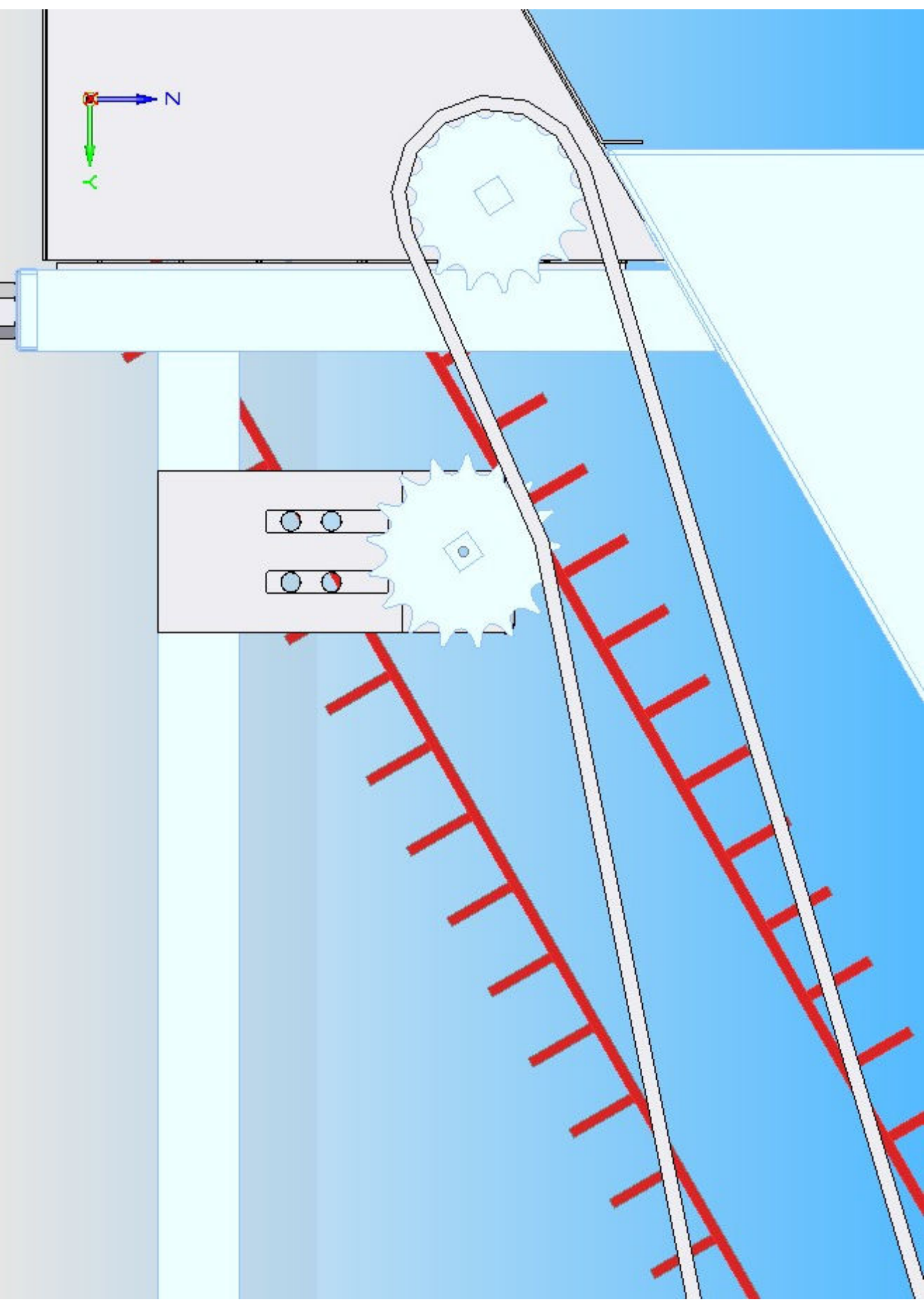


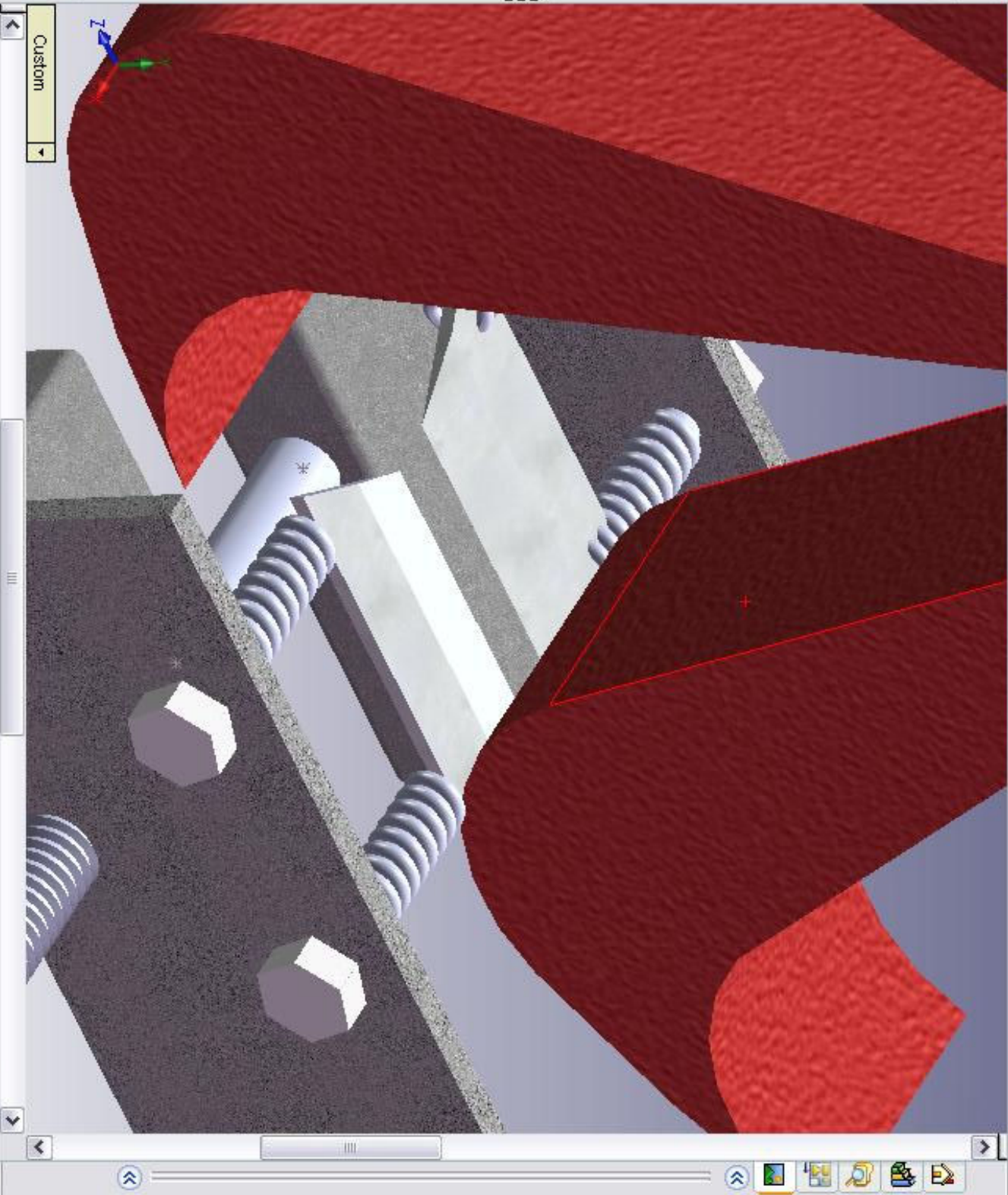
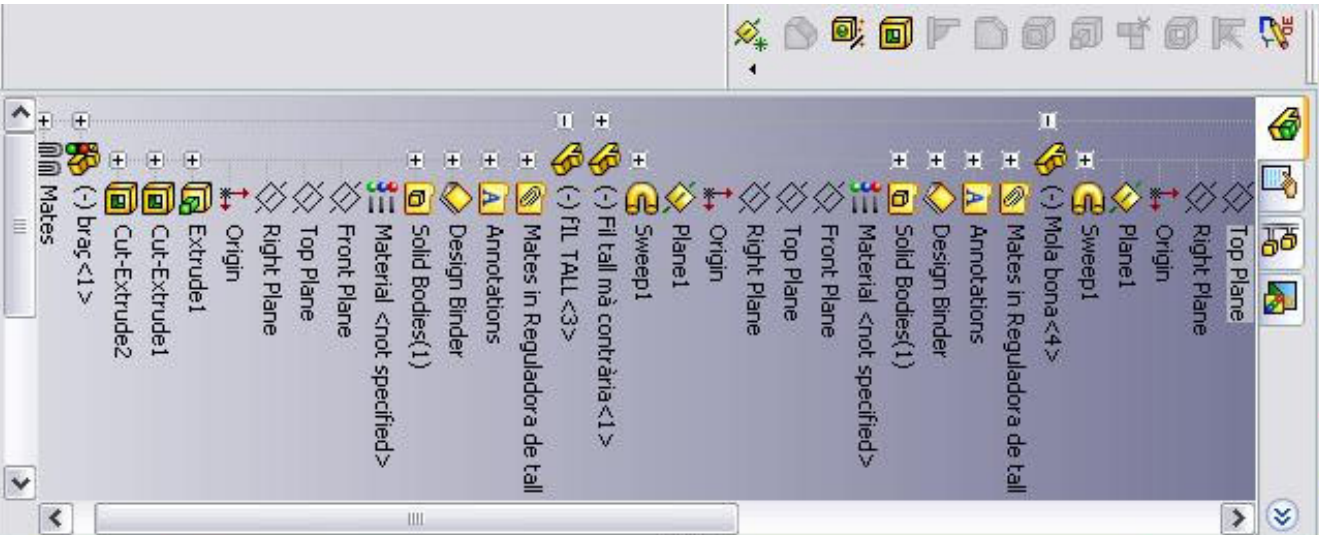


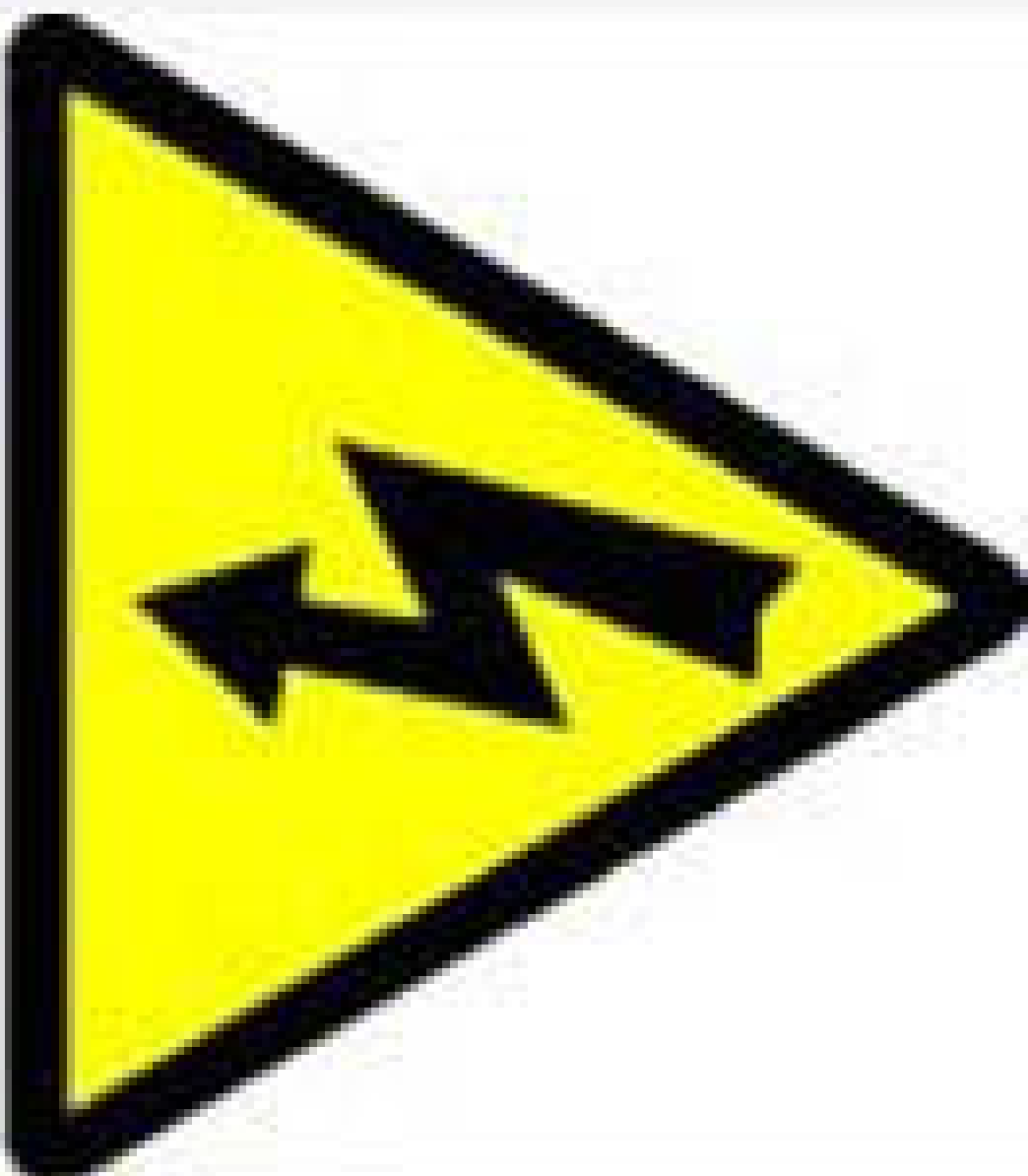






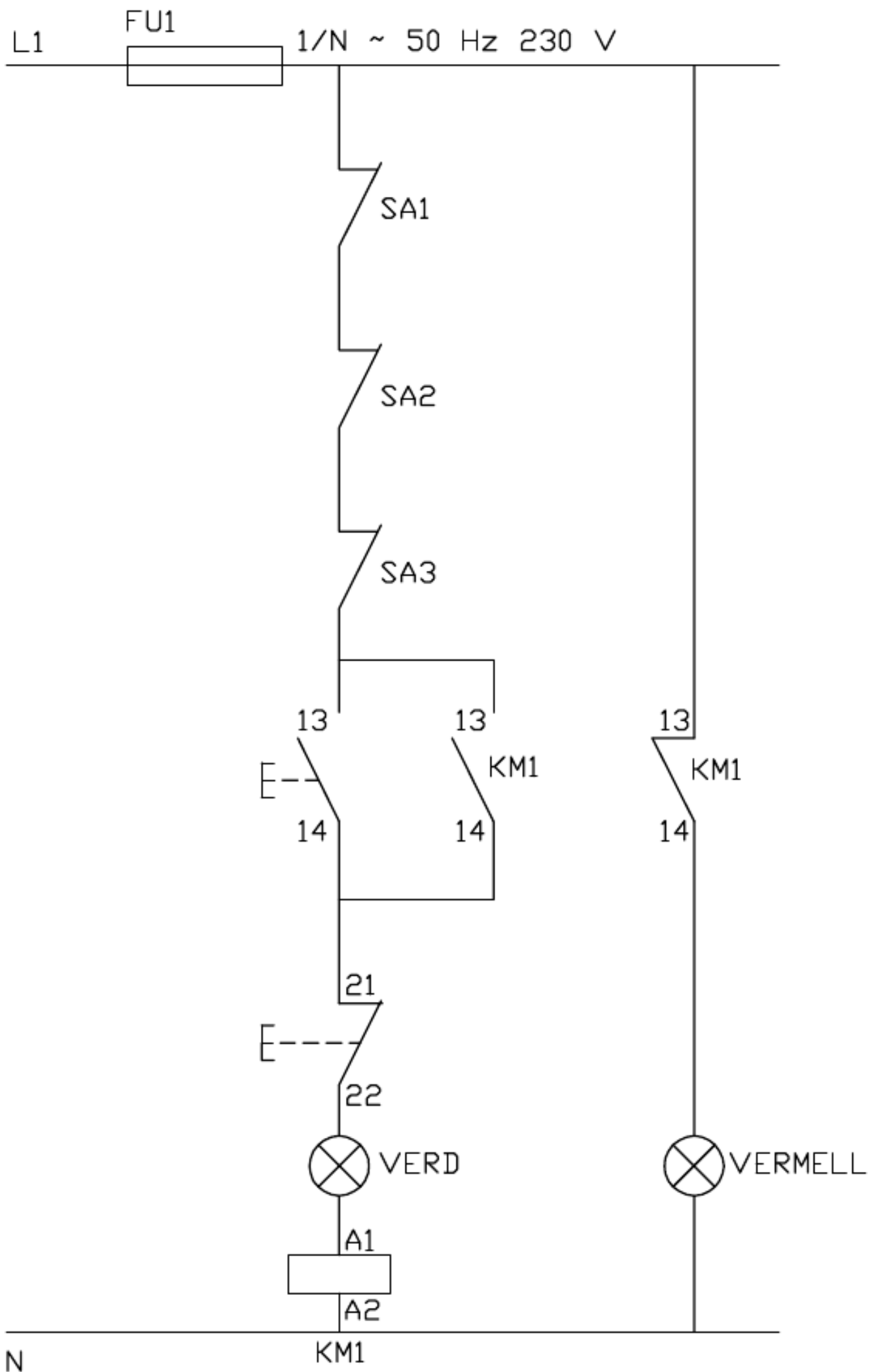






Danger

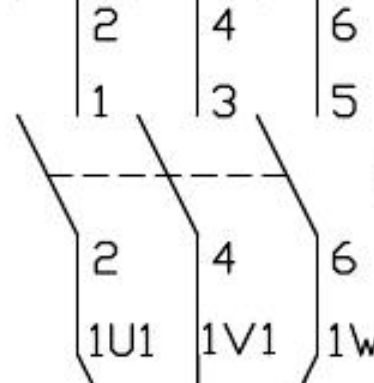
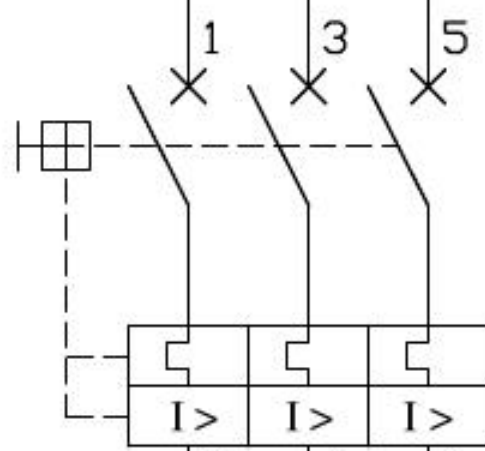
Electric shock risk



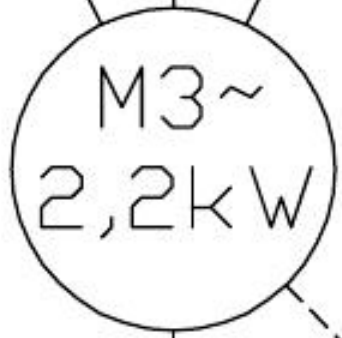
L1 3NPE ~50 Hz 400 / 230 V

L2

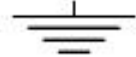
L3



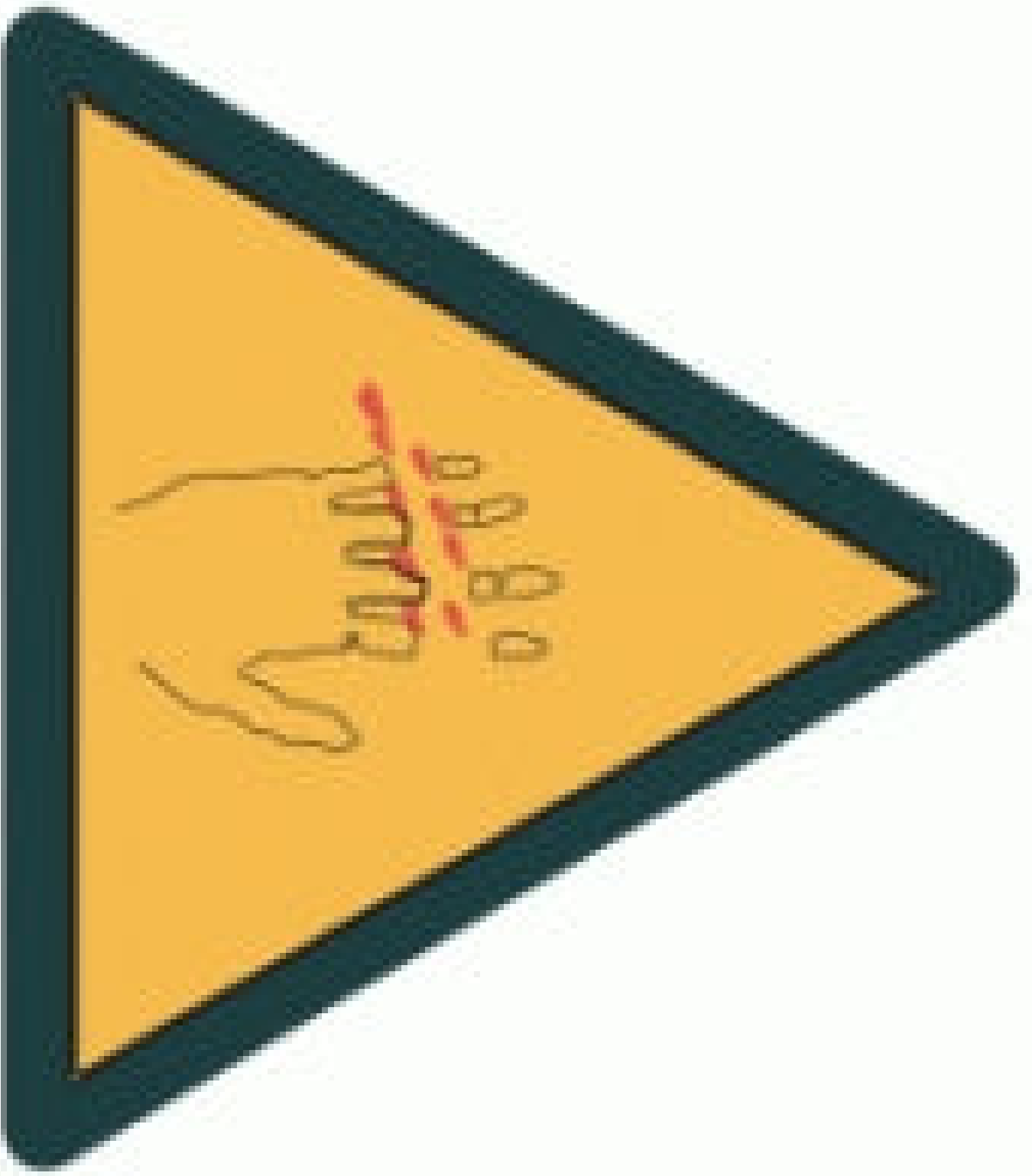
KM1



PE











- 0 = Aus
- 1 = Laden
- 2 = Untericht / Laden



Lade-Kontrolle



EATON

Cutler-Hammer
E25CB1

Use with E-Stop Decoder
Catalog Part No. L225 TA

See A1
EAT 102047-0-1
EAT 102047-0-2

UL listed
UL 508
UL 508
UL 508

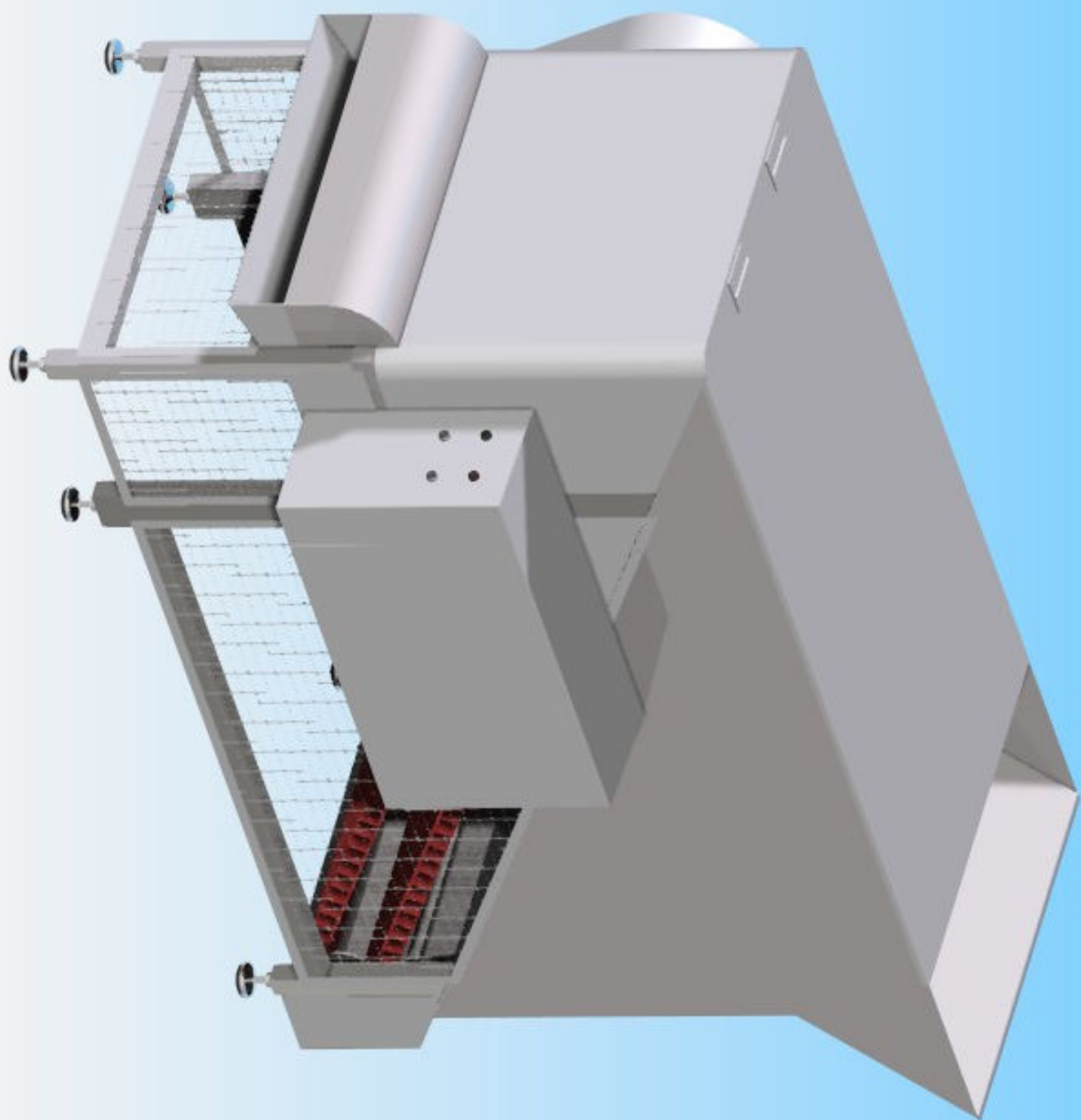
See A1
EAT 102047-0-1
EAT 102047-0-2

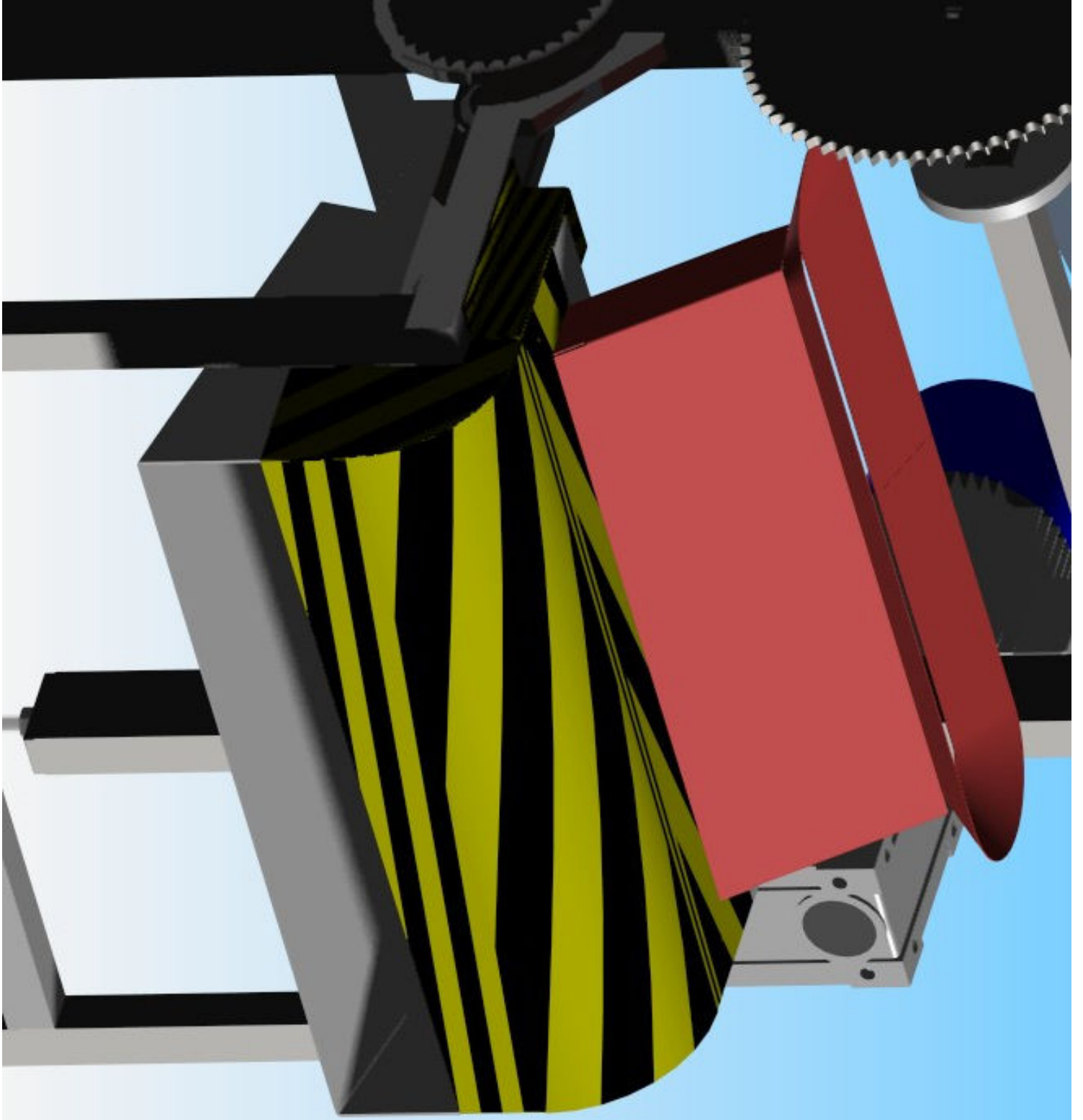
UL listed
UL 508
UL 508
UL 508

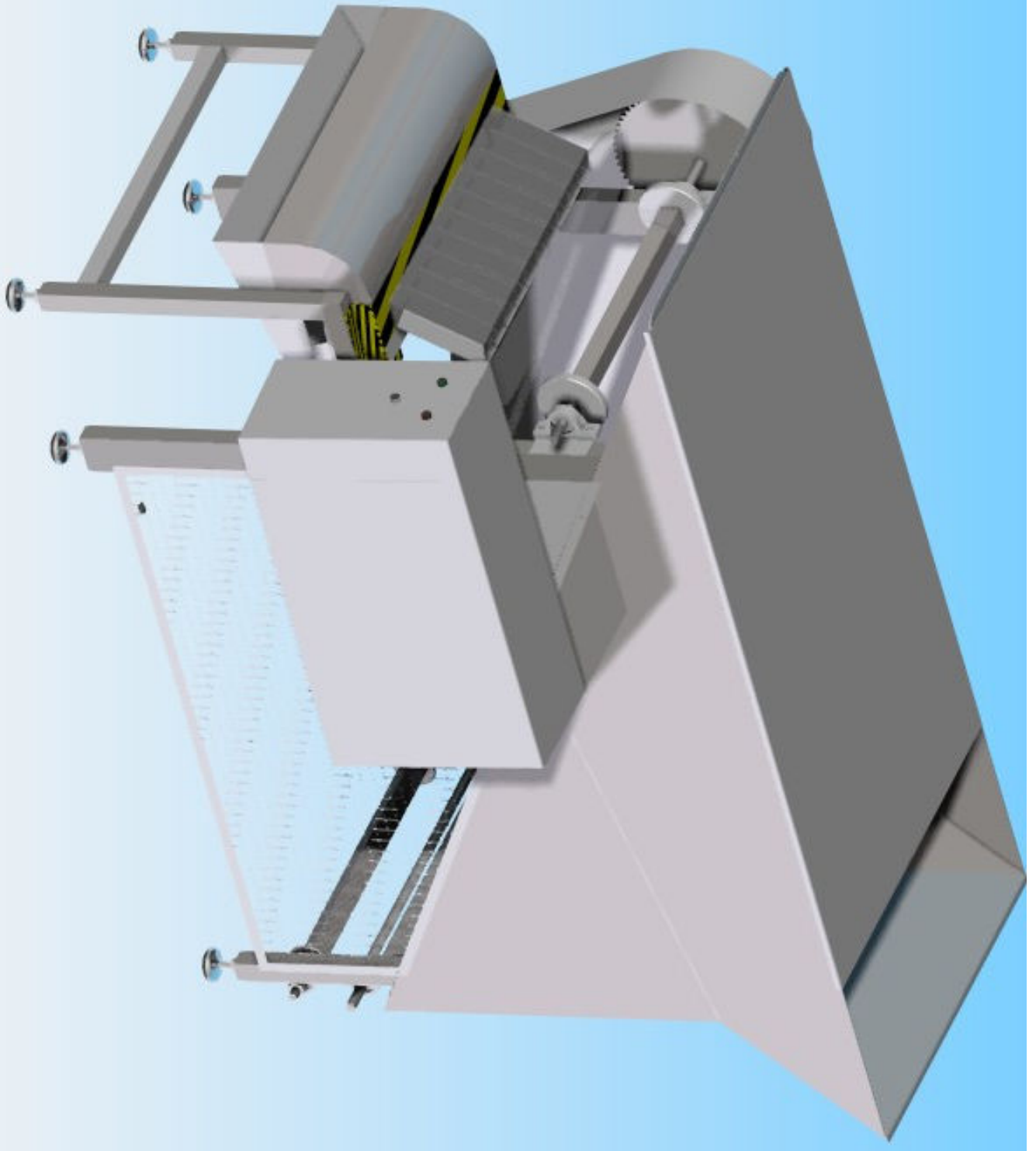
See A1
EAT 102047-0-1
EAT 102047-0-2

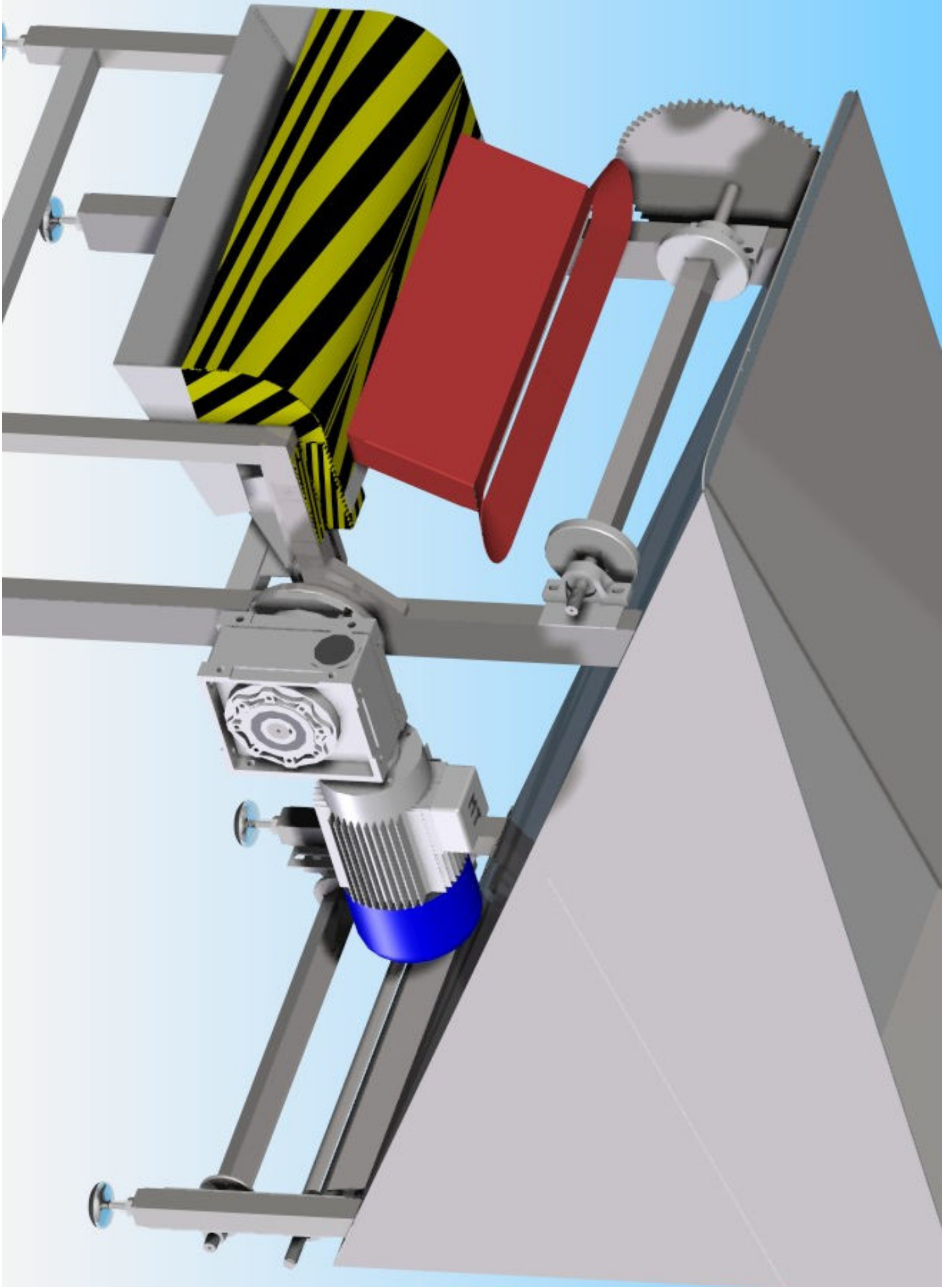
UL listed
UL 508
UL 508
UL 508

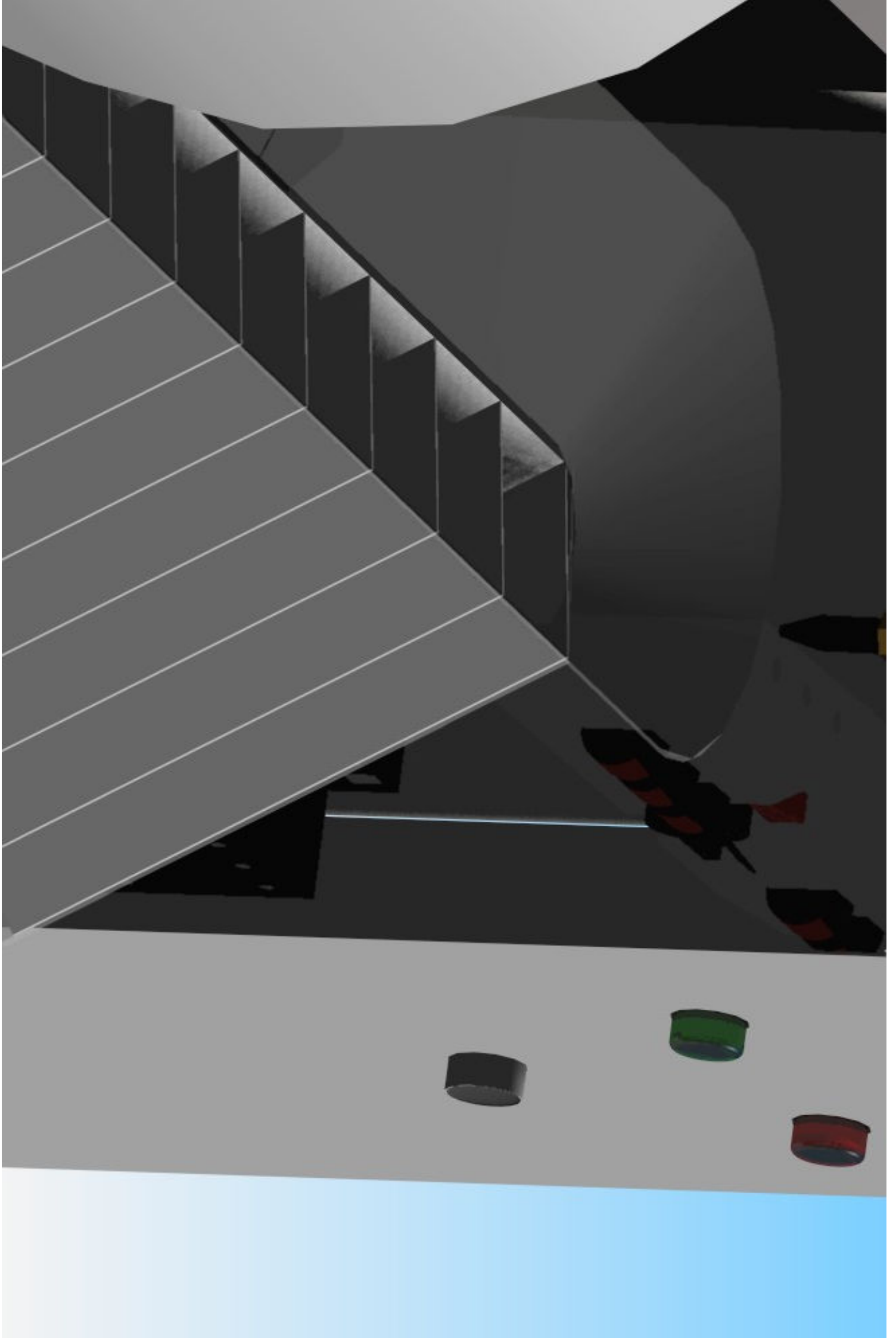
See A1
EAT 102047-0-1
EAT 102047-0-2

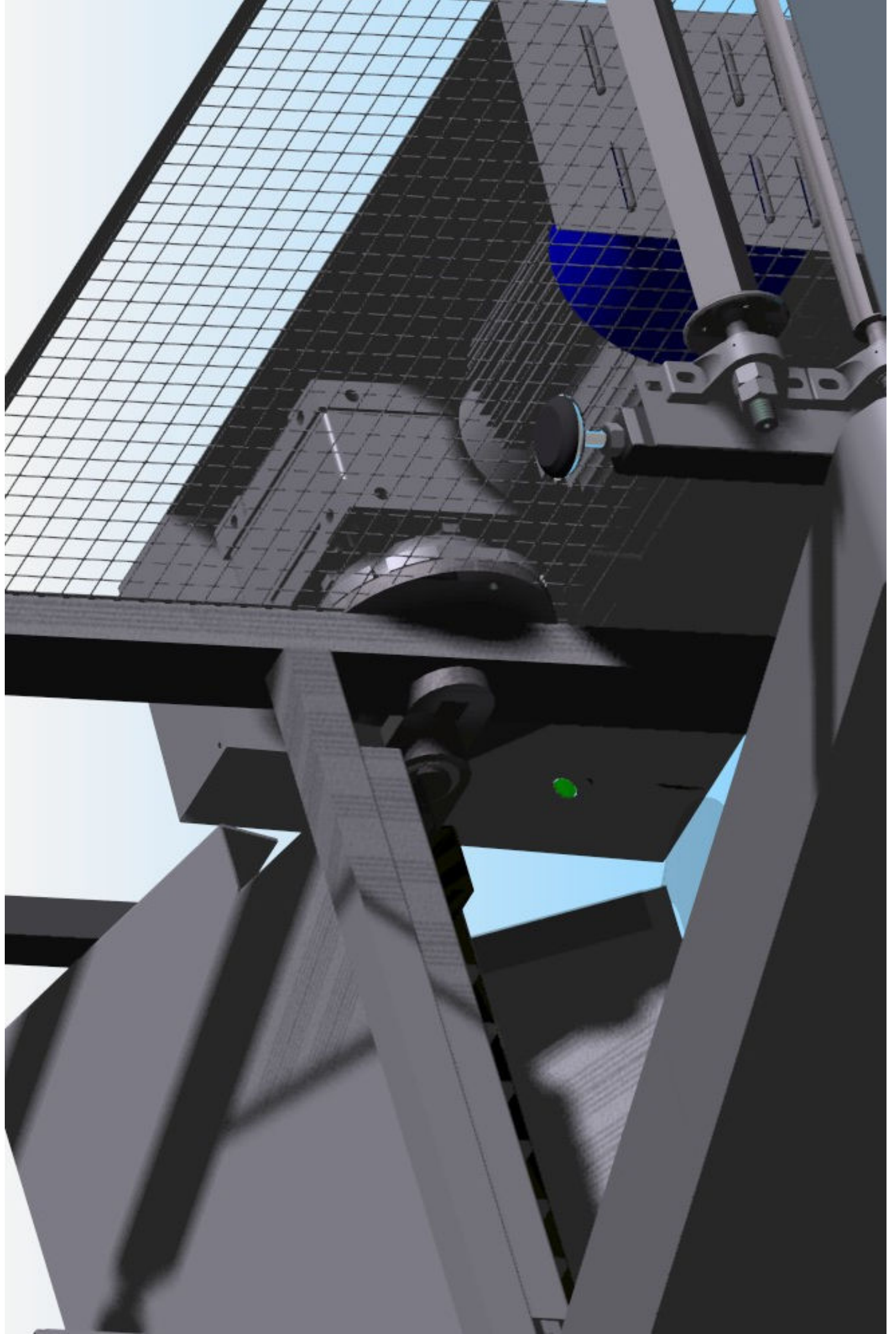


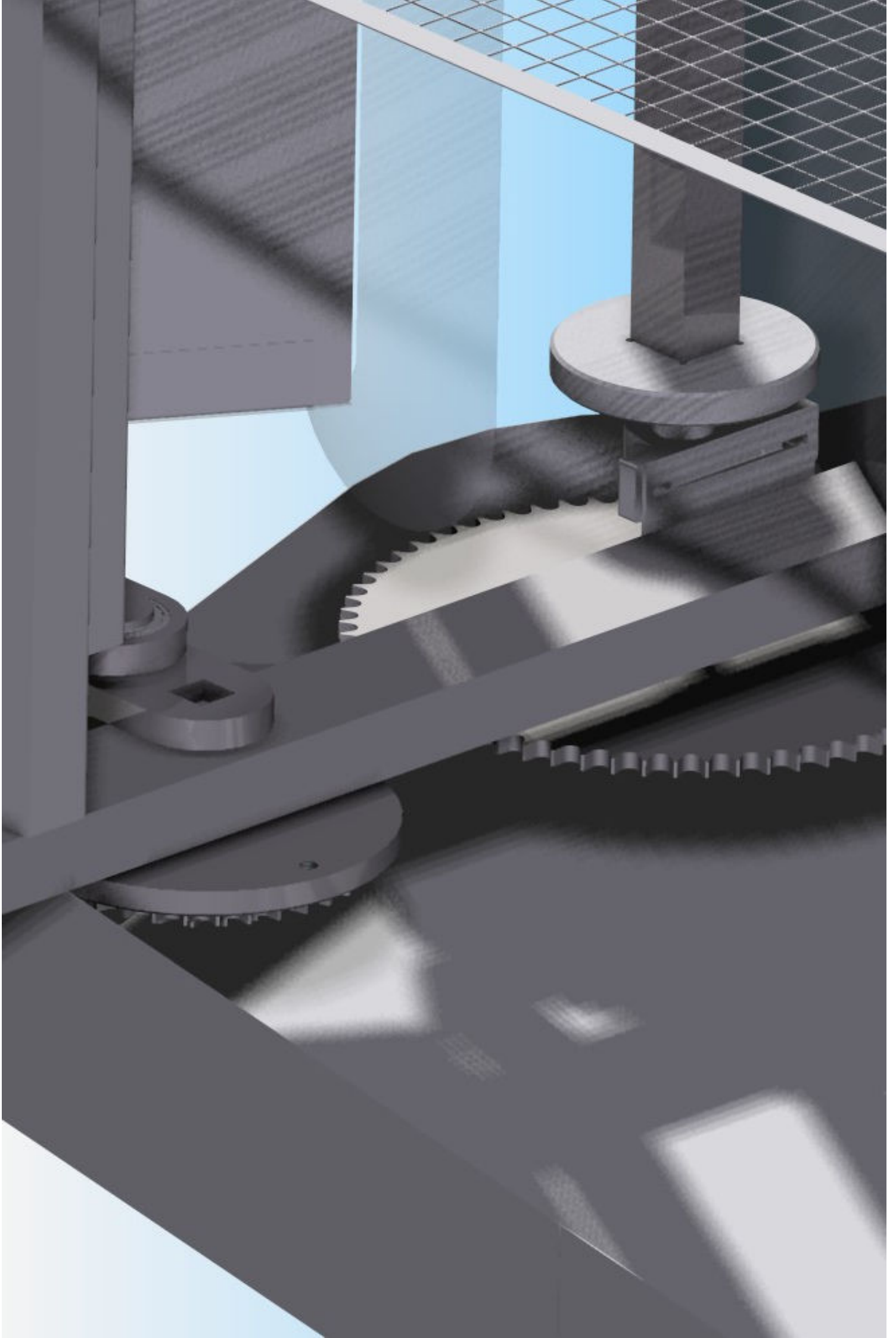




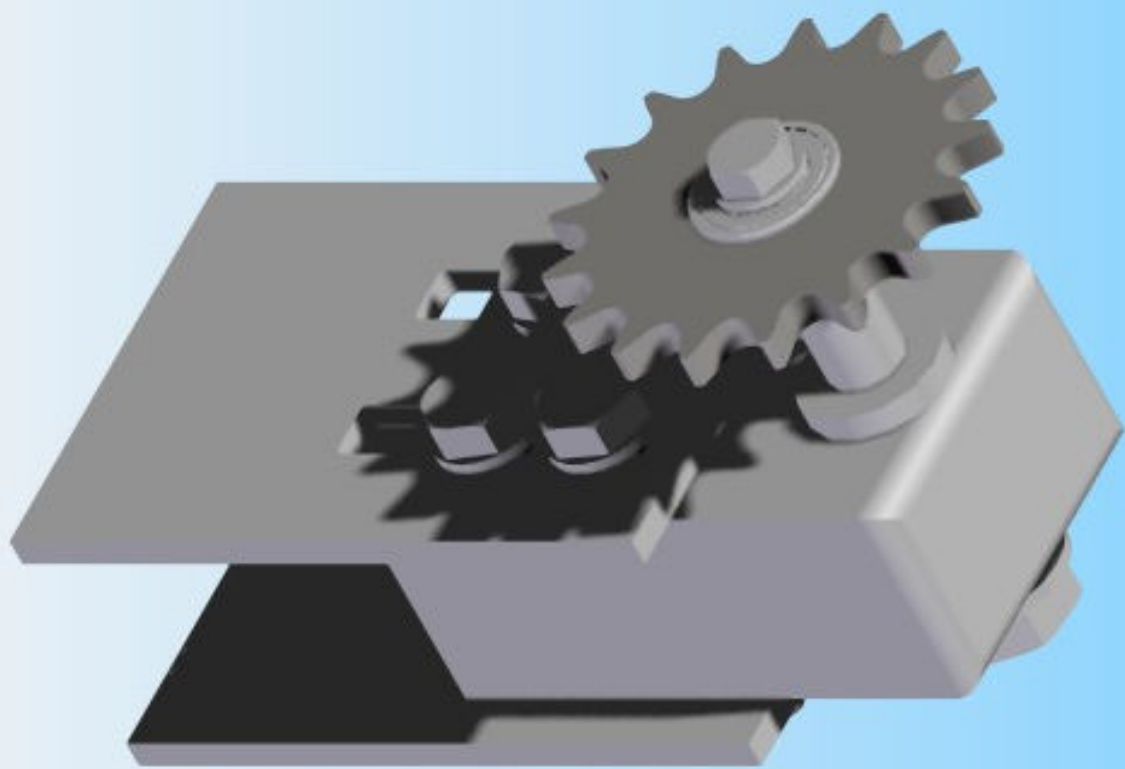






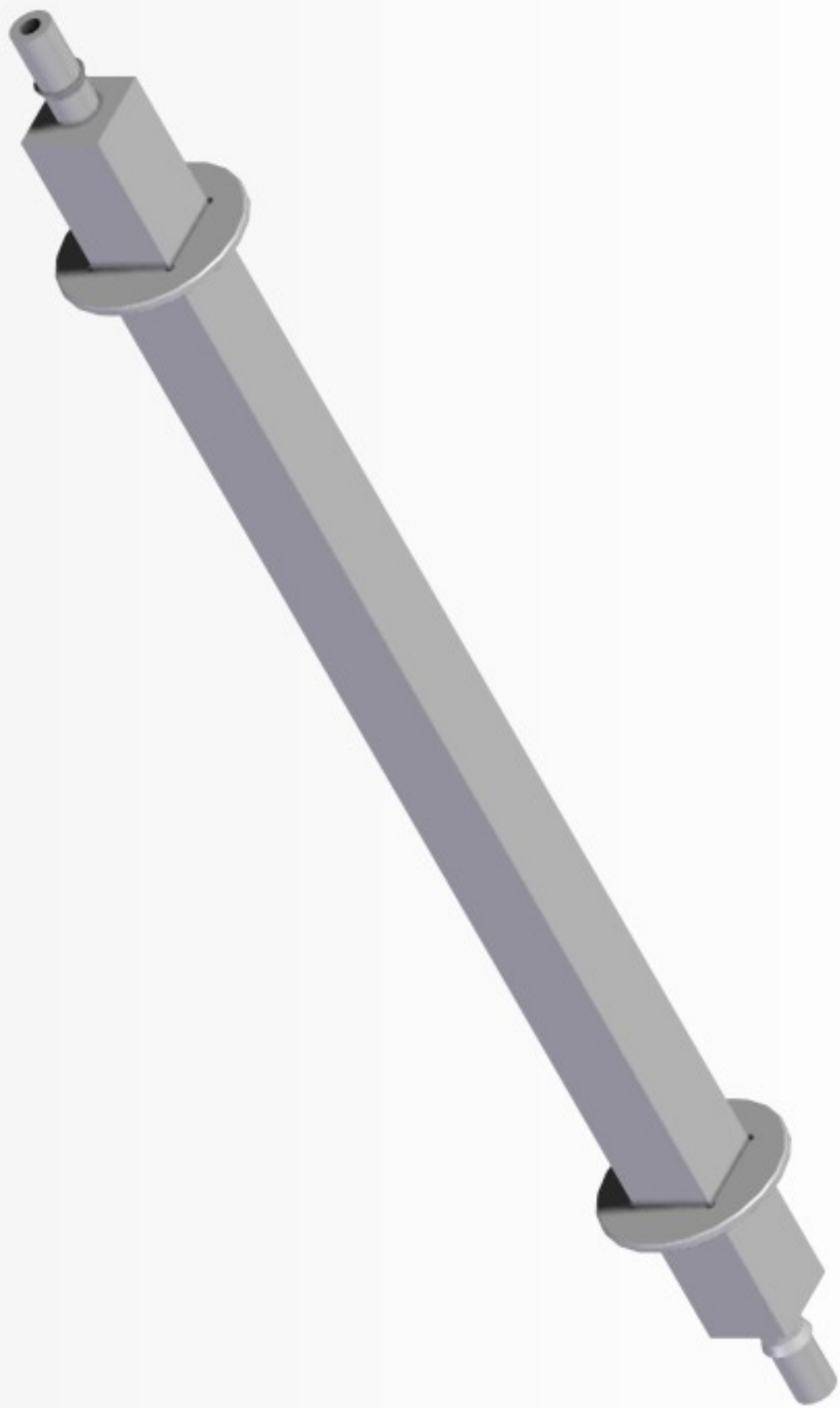


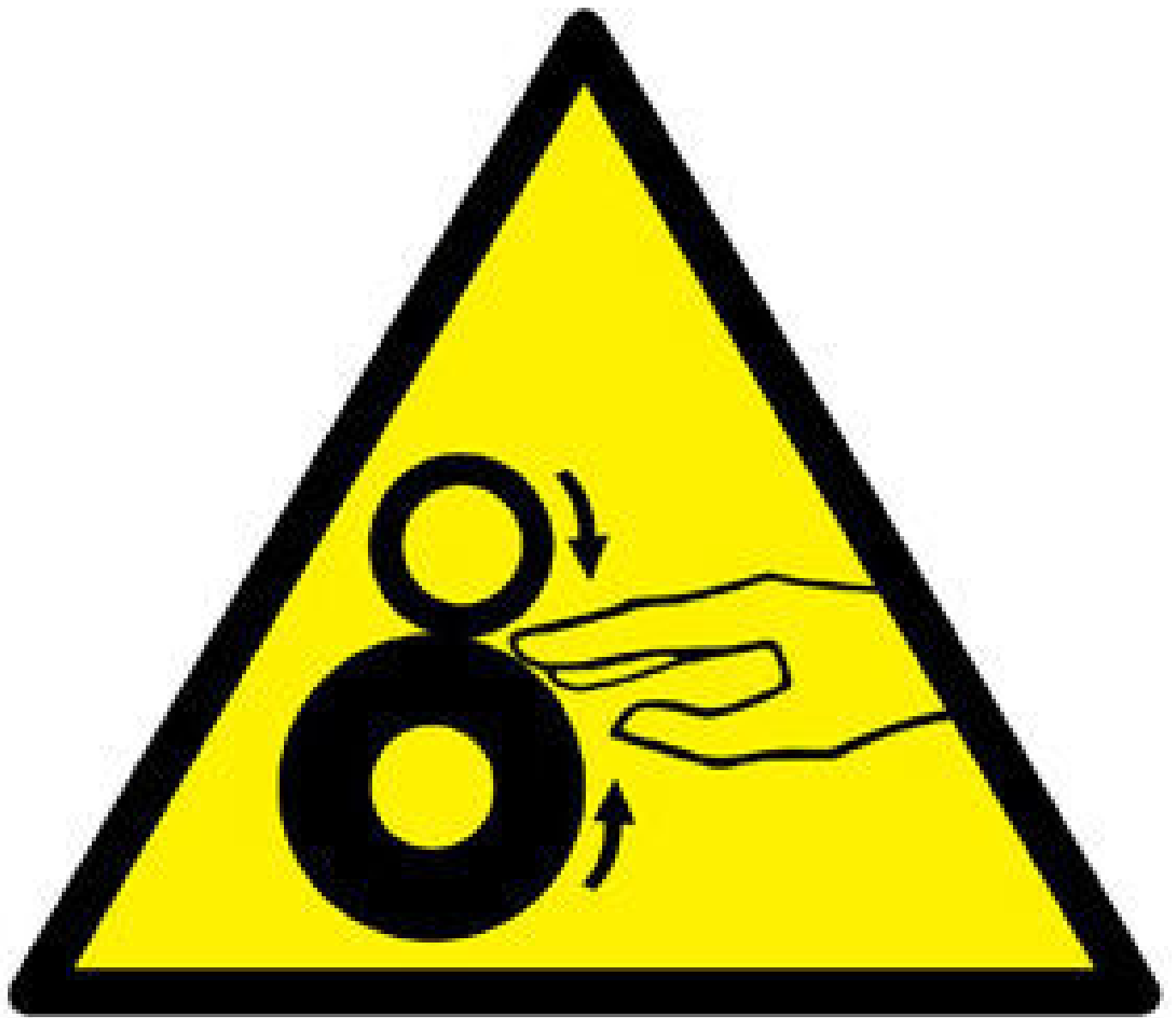




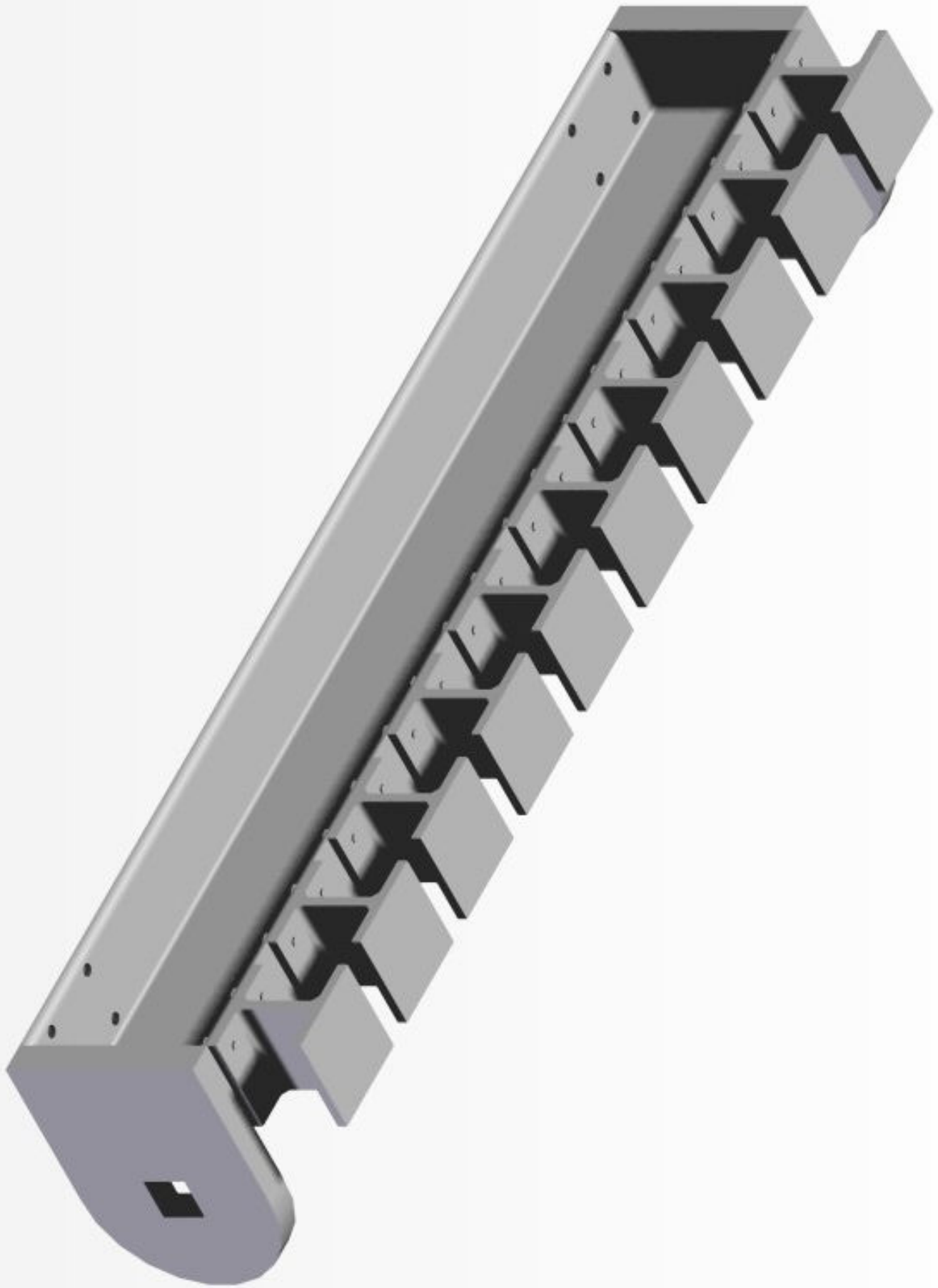


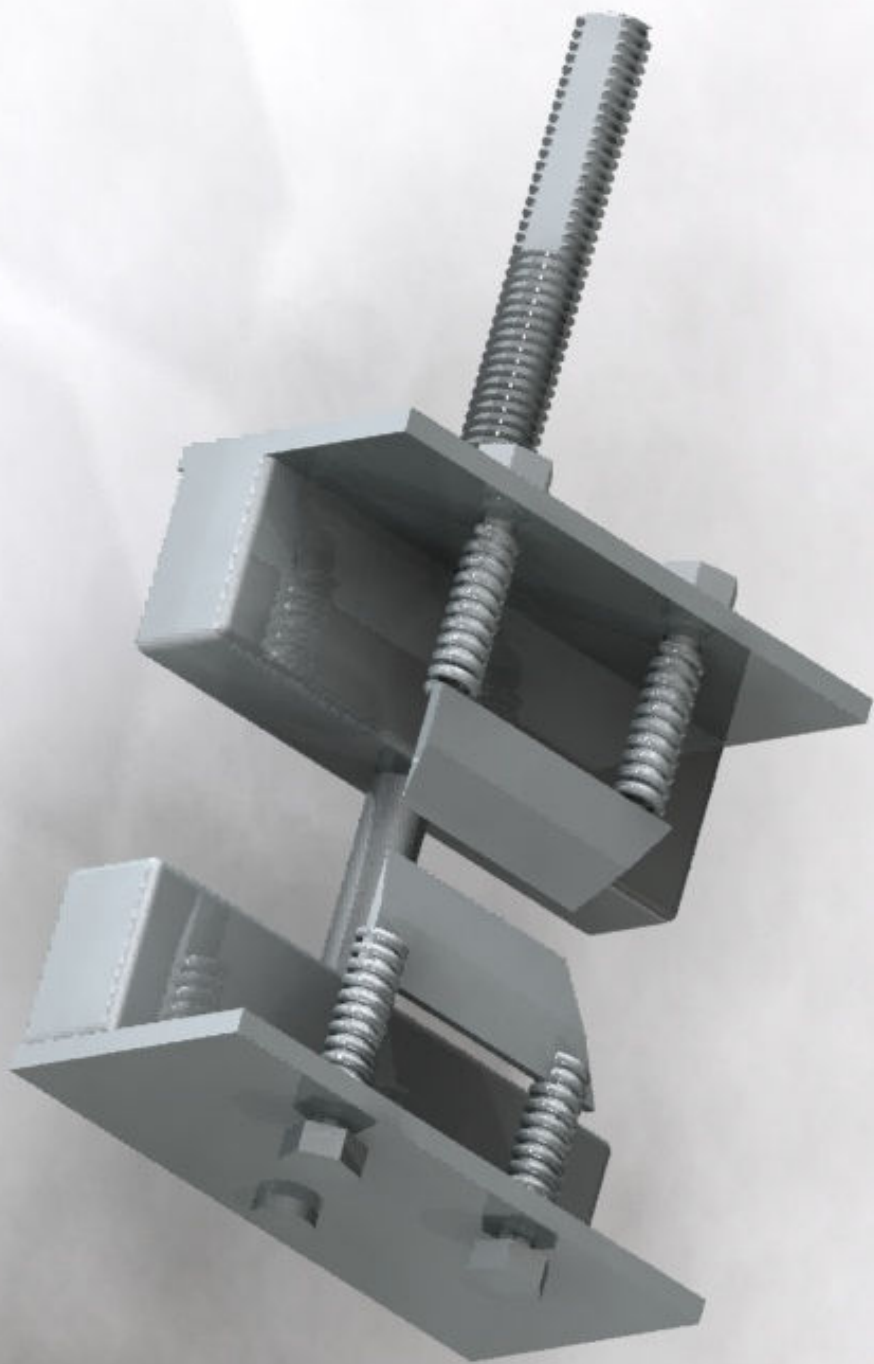


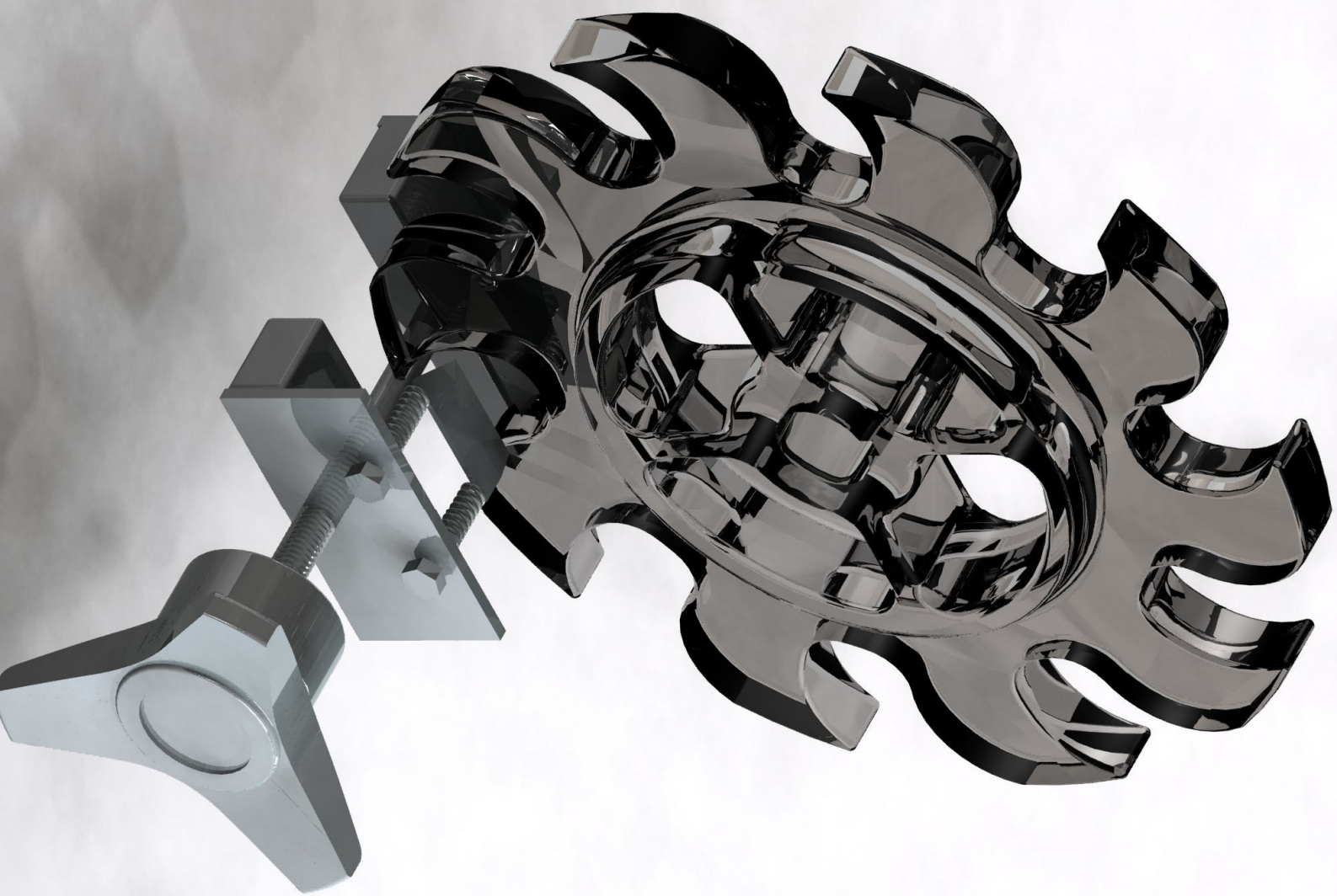




**¡ATENCIÓN!
RIESGO DE
ATRAPAMIENTO**

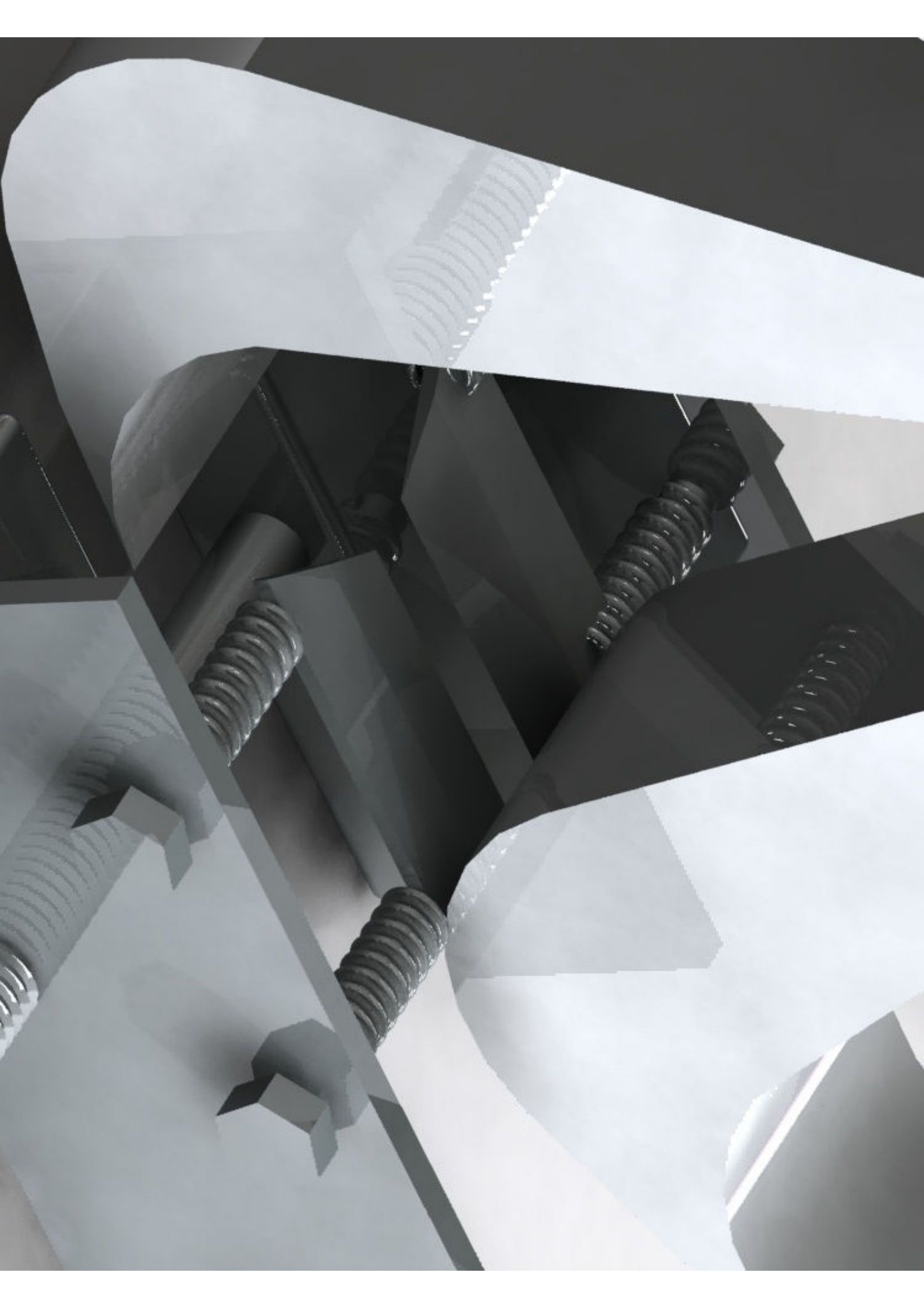


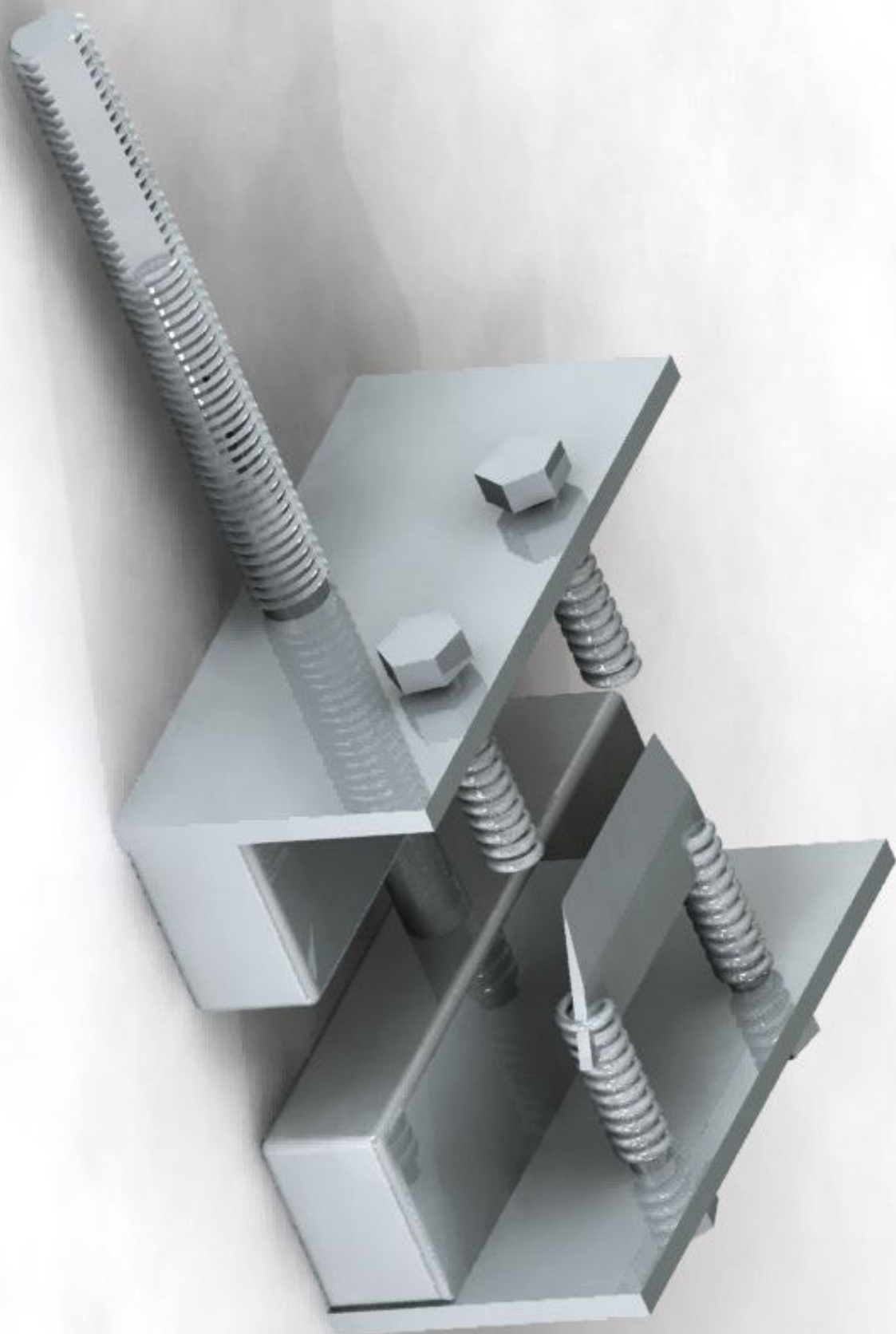












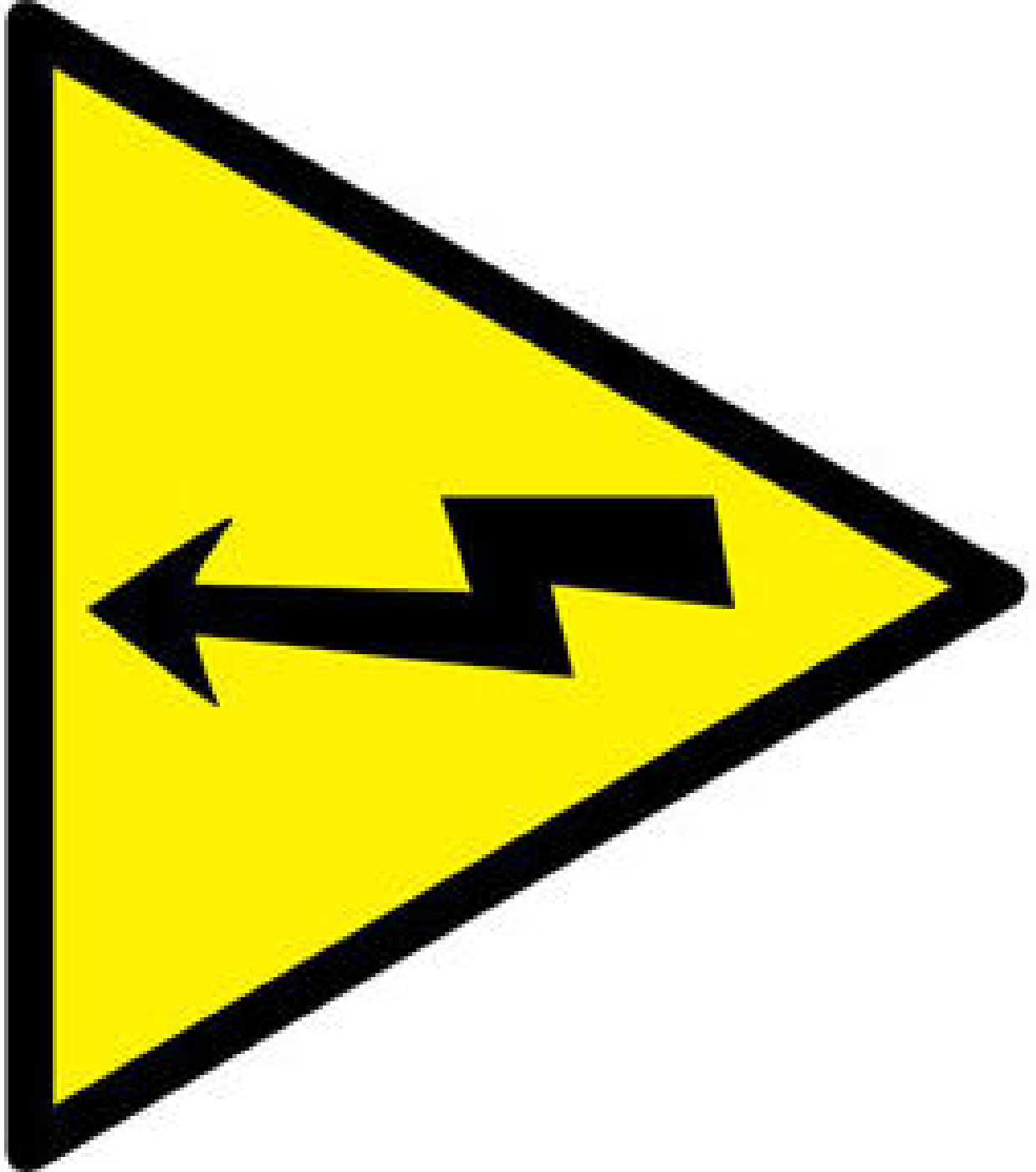
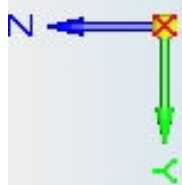
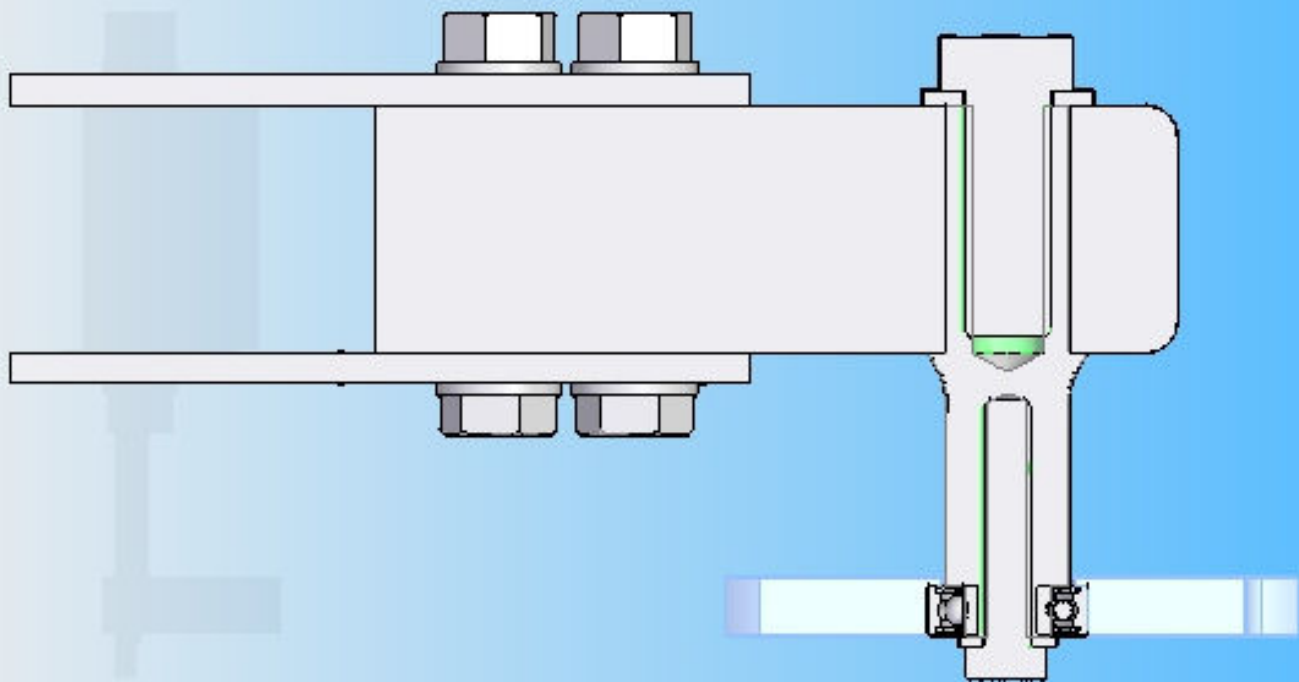
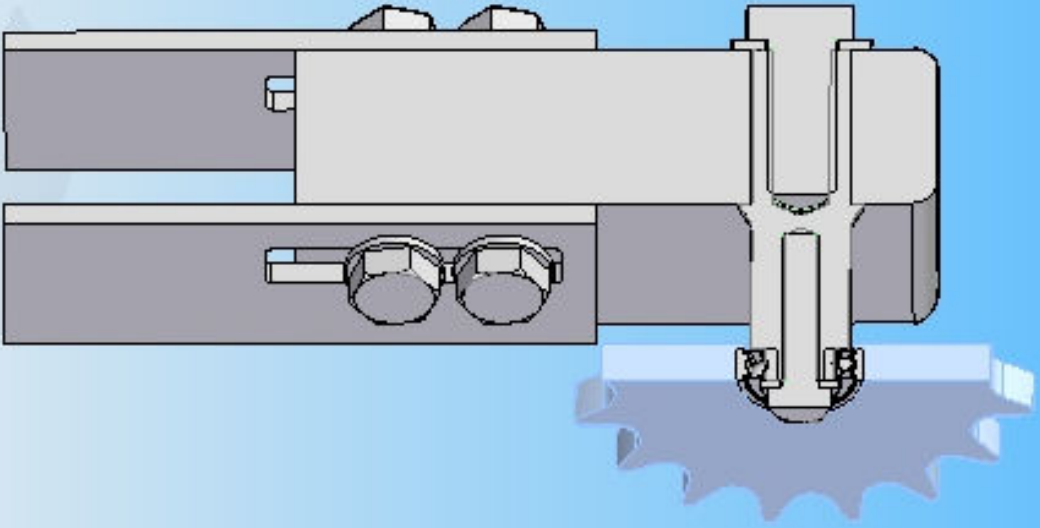
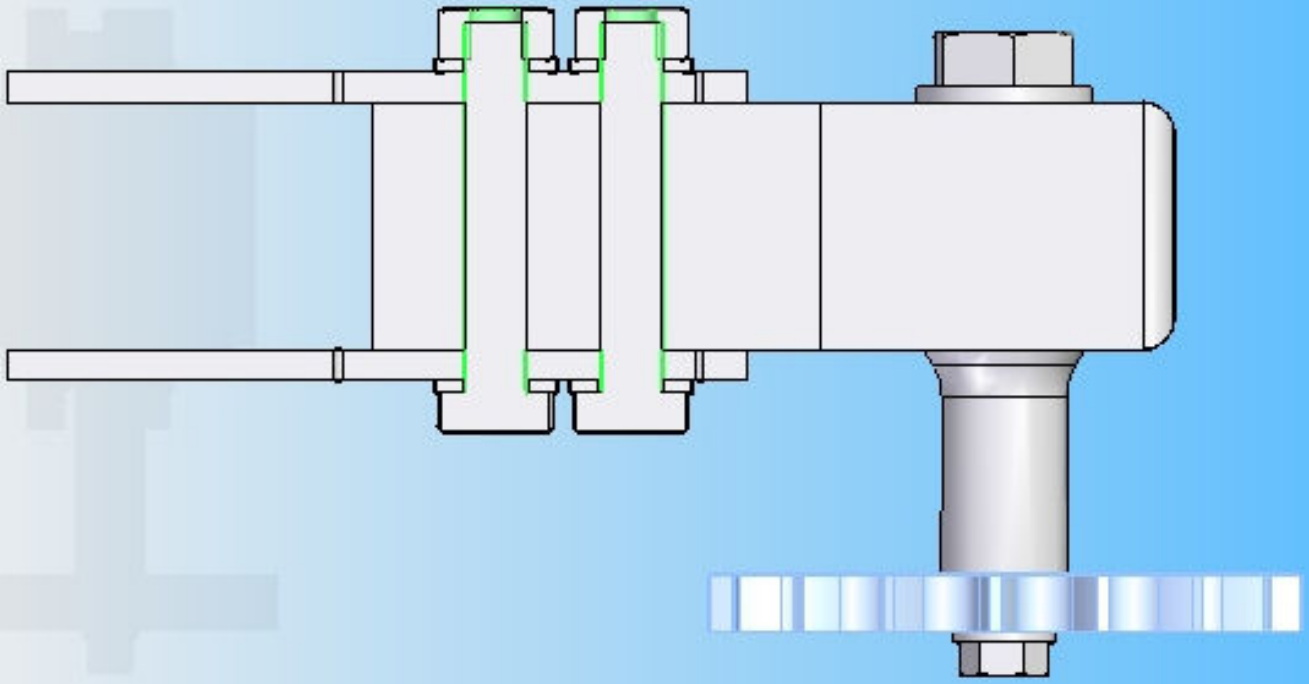
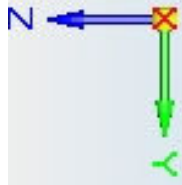


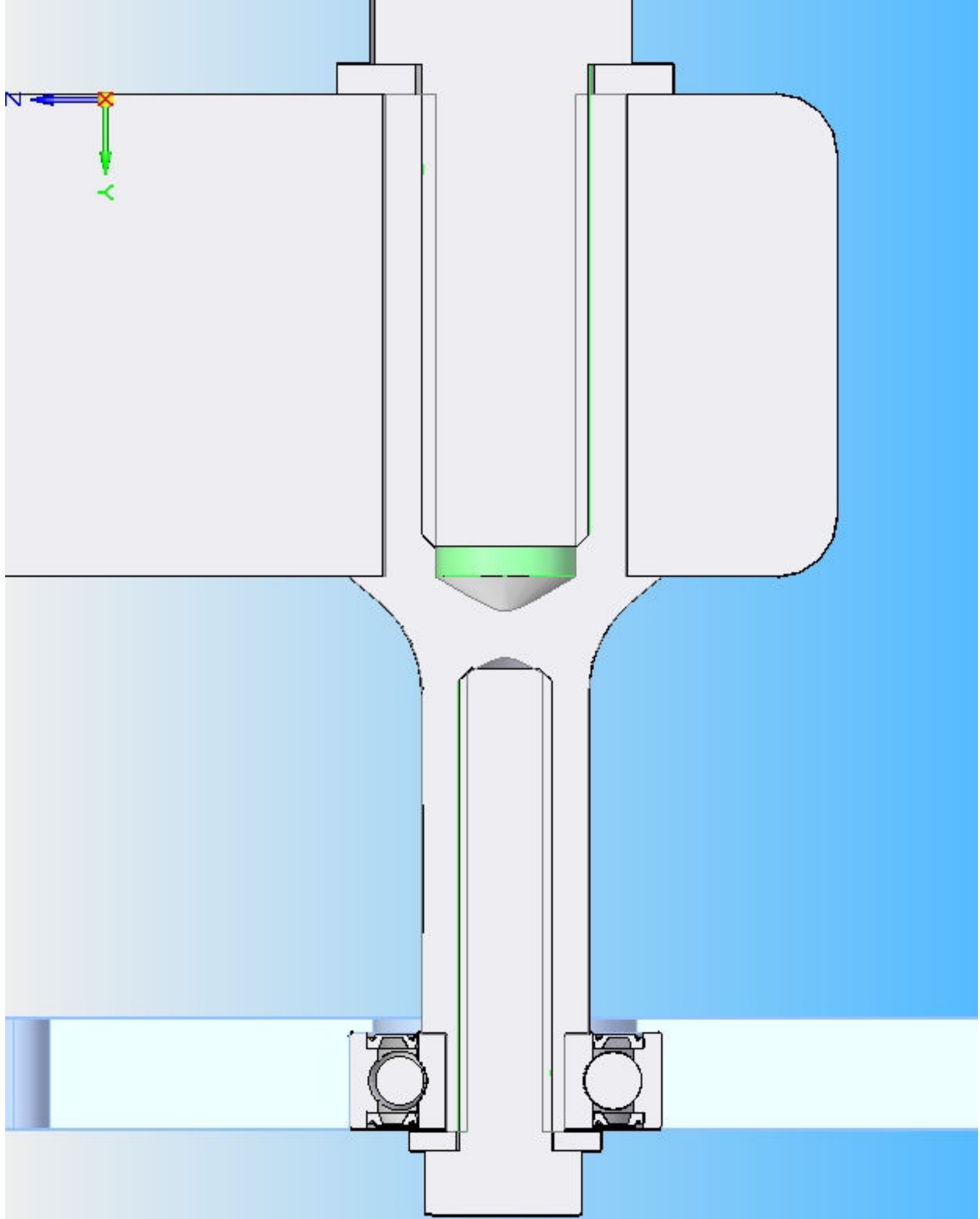
Tabla 5. Intensidad máxima admisible, en amperios, para cables con conductores de cobre en instalación enterrada (servicio permanente).

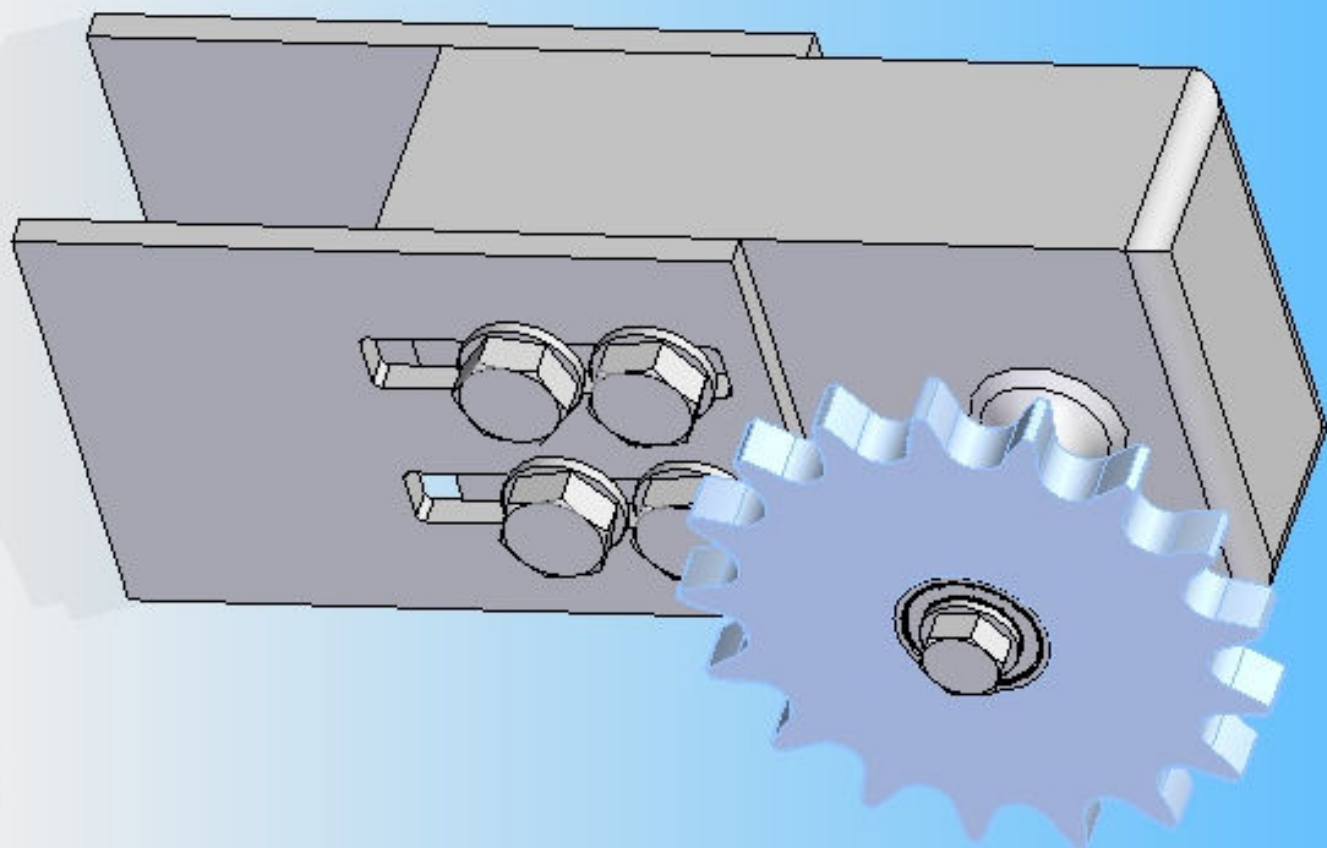
SECCIÓN NOMINAL mm ²	Terna de cables unipolares (1) (2)		1 cable tripolar o tetrapolar (3)			
	TIPO DE AISLAMIENTO					
	XLPE	EPR	PVC	XLPE	EPR	PVC
6	72	70	63	66	64	56
10	96	94	85	88	85	75
16	125	120	110	115	110	97
25	160	155	140	150	140	125
35	190	185	170	180	175	150
50	230	225	200	215	205	180
70	280	270	245	260	250	220
95	335	325	290	310	305	265
120	380	375	335	355	350	305
150	425	415	370	400	390	340
185	480	470	420	450	440	385
240	550	540	485	520	505	445
300	620	610	550	590	565	505
400	705	690	615	665	645	570
500	790	775	685	-	-	-
630	885	870	770	-	-	-

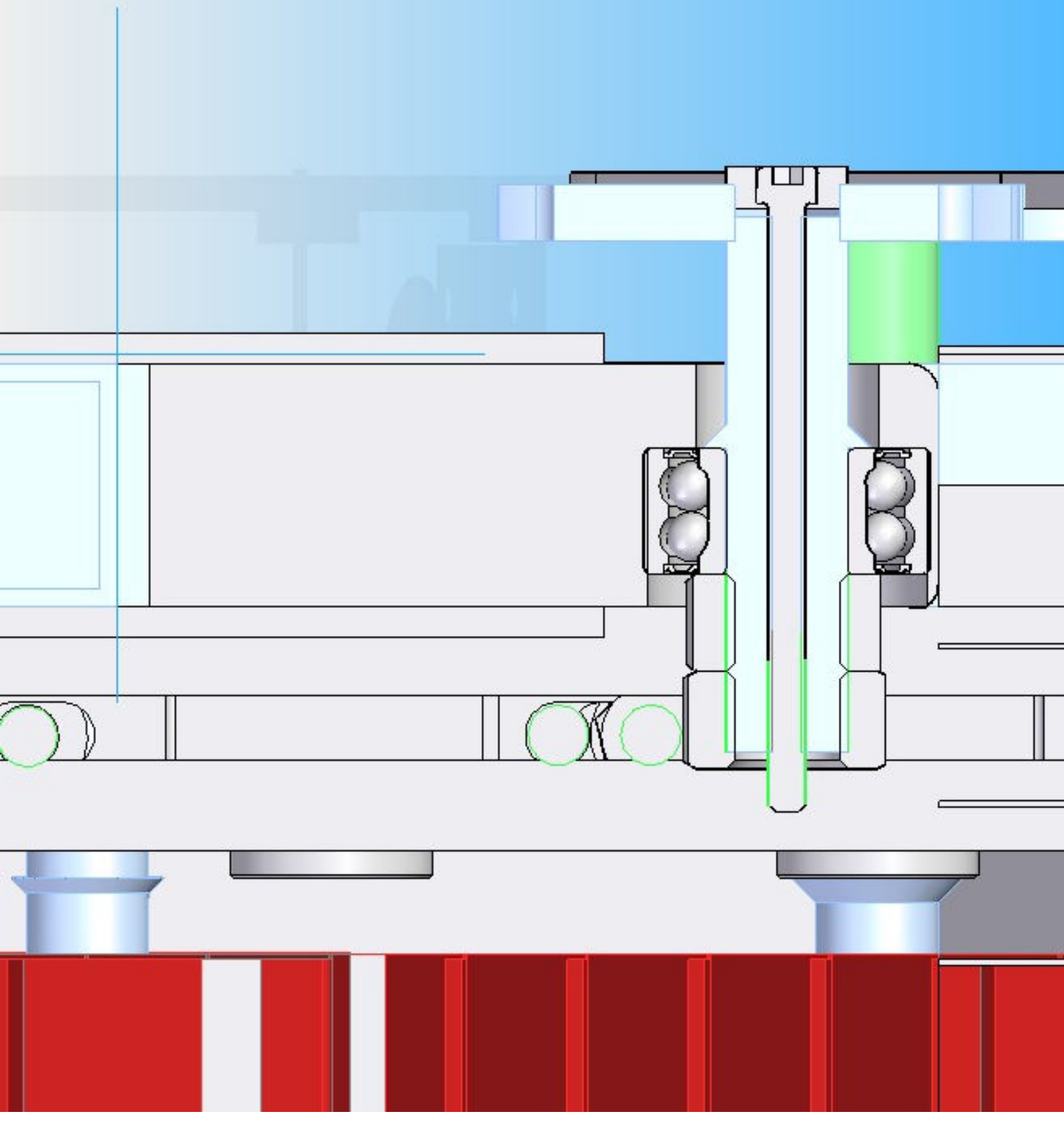
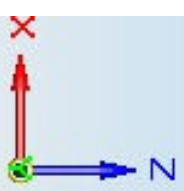








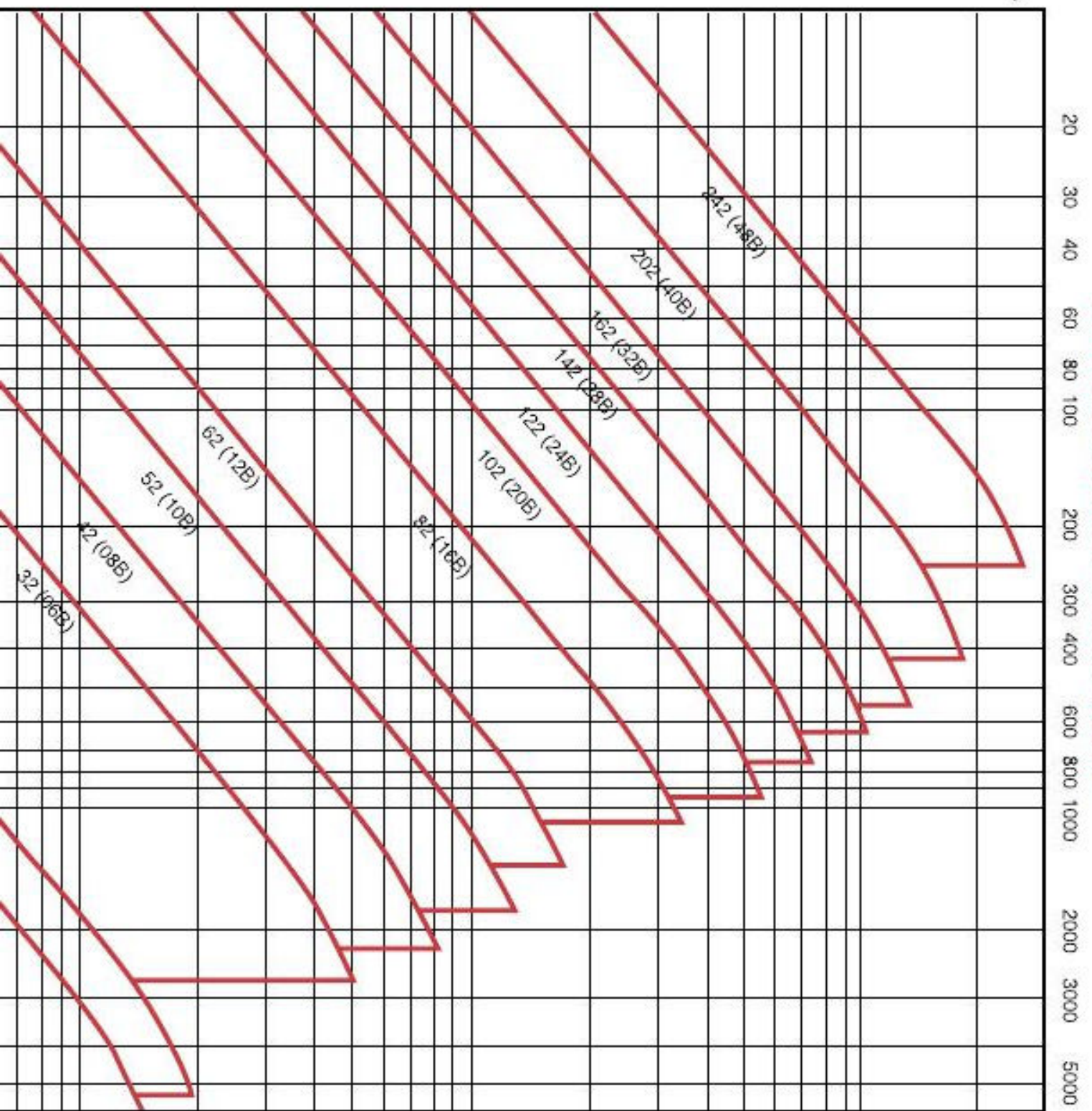








Velocidad de la rueda pequeña (r.p.m.)



Potencia en kW

Cadena	Triple	Doble	Simple
	510	340	200
	255	170	100
	178	119	70
	127	85	50
	102	68	40
	76	51	30
	51	34	20
	25	17	10
	18	12	7
	12,7	8,5	5
	10,2	6,8	4
	7,6	5,1	3
	5,1	3,4	2
	2,5	1,7	1
	1,8	1,2	0,7

